



TO: ALL HOLDERS OF ABBREVIATED ATTENDANTS PANEL ASSEMBLY COMPONENT MAINTENANCE
MANUAL 25-63-11

REVISION NO. 4 DATED JUL 01/04

HIGHLIGHTS

Pages which have been added or revised are outlined below together with the highlights of the revision. Remove and insert the affected pages as listed and enter Revision No. and date on the Record of Revision Sheet.

CHAPTER/SECTION

AND PAGE NO.

DESCRIPTION OF CHANGE

TITLE PAGE

Added "Assembly" to the nomenclature on the title page.

1

25-63-11

HIGHLIGHTS

01.1

Page 1

Jul 01/04

ABBREVIATED ATTENDANT'S PANEL ASSEMBLY

PART NUMBERS 285T0659-1,-2,-3,-7,-8,-9,-11 THRU
-17,-19 THRU -23,-25 THRU
-28,-30,-34,-38 THRU -46,
-48,-49

COMPONENT MAINTENANCE MANUAL
WITH
ILLUSTRATED PARTS LIST

25-63-11

TITLE PAGE

Page 1

Jul 01/04

01.1

REVISION RECORD

- Retain this record in front of manual. On receipt of revision, insert revised pages in the manual, and enter revision number, date inserted and initial.

REVISION NUMBER	REVISION DATE	DATE FILED	BY	REVISION NUMBER	REVISION DATE	DATE FILED	BY

25-63-11

REVISION RECORD

01

Page 1

Nov 01/00

TEMPORARY REVISION AND SERVICE BULLETIN RECORD

BOEING SERVICE BULLETIN	BOEING TEMPORARY REVISION	OTHER DIRECTIVE	DATE OF INCORPORATION INTO MANUAL

25-63-11

TR & SB RECORD

01

Page 1

Nov 01/00


BOEING
 COMPONENT
 MAINTENANCE MANUAL

PAGE	DATE	CODE	PAGE	DATE	CODE
25-63-11			TESTING & FAULT ISOLATION CONT.		
TITLE PAGE			108	NOV 01/00	01
*1	JUL 01/04	01.1	109	MAR 01/02	01.1
2	BLANK		110	MAR 01/02	01.101
REVISION RECORD			REPAIR-GENERAL		
1	NOV 01/00	01	601	NOV 01/00	01
2	BLANK		602	NOV 01/00	01
TR & SB RECORD			ILLUSTRATED PARTS LIST		
1	NOV 01/00	01	1001	NOV 01/00	01
2	BLANK		1002	NOV 01/00	01
LIST OF EFFECTIVE PAGES			1003	JUL 01/03	01.1
*1	JUL 01/04	01	1004	JUL 01/03	01.1
THRU LAST PAGE			1005	JUL 01/03	01.1
CONTENTS			1006	JUL 01/03	01.1
1	NOV 01/00	01	1007	JUL 01/03	01.1
2	BLANK		1008	JUL 01/03	01.1
INTRODUCTION			1009	JUL 01/03	01.1
1	NOV 01/00	01	1010	JUL 01/03	01.1
2	BLANK		1011	JUL 01/03	01.1
DESCRIPTION & OPERATION			1012	JUL 01/03	01.1
1	NOV 01/00	01	1013	JUL 01/03	01.1
2	NOV 01/00	01	1014	JUL 01/03	01.1
3	JUL 01/03	01.1	1015	JUL 01/03	01.1
4	NOV 01/00	01	1016	JUL 01/03	01.1
5	NOV 01/00	01	1017	JUL 01/03	01.1
6	BLANK		1018	JUL 01/03	01.1
TESTING & FAULT ISOLATION			1019	JUL 01/03	01.1
101	JUL 01/03	01.1	1020	JUL 01/03	01.1
102	JUL 01/03	01.1	1021	JUL 01/03	01.1
103	NOV 01/00	01	1022	JUL 01/03	01.1
104	NOV 01/00	01	1023	JUL 01/03	01.1
105	NOV 01/00	01	1024	JUL 01/03	01.1
106	JUL 01/03	01.1	1025	JUL 01/03	01.1
107	JUL 01/03	01.1	1026	JUL 01/03	01.1
			1027	JUL 01/03	01.1
			1028	JUL 01/03	01.1
			1029	JUL 01/03	01.1
			1030	JUL 01/03	01.1
			1031	JUL 01/03	01.1
			1032	JUL 01/03	01.1
			1033	JUL 01/03	01.1

* = REVISED, ADDED OR DELETED

25-63-11

EFFECTIVE PAGES
 CONTINUED Page 1
 01 Jul 01/04



BOEING
COMPONENT
MAINTENANCE MANUAL

PAGE	DATE	CODE	PAGE	DATE	CODE
ILLUSTRATED PARTS LIST		CONT.	ILLUSTRATED PARTS LIST		CONT.
1034	JUL 01/03	01.1	1076	JUL 01/03	01.1
1035	JUL 01/03	01.1	1077	JUL 01/03	01.1
1036	JUL 01/03	01.1	1078	JUL 01/03	01.1
1037	JUL 01/03	01.1	1079	JUL 01/03	01.1
1038	JUL 01/03	01.1	1080	JUL 01/03	01.1
1039	JUL 01/03	01.1	1080A	JUL 01/03	01.1
1040	JUL 01/03	01.1	1080B	JUL 01/03	01.1
1041	JUL 01/03	01.1	1080C	JUL 01/03	01.1
1042	JUL 01/03	01.1	1080D	JUL 01/03	01.1
1043	JUL 01/03	01.1	1080E	JUL 01/03	01.1
1044	JUL 01/03	01.1	1080F	JUL 01/03	01.1
1045	JUL 01/03	01.1	1080G	JUL 01/03	01.1
1046	JUL 01/03	01.1	1080H	BLANK	
1047	JUL 01/03	01.1	1080I	JUL 01/03	01.1
1048	JUL 01/03	01.1	1080J	JUL 01/03	01.1
1049	JUL 01/03	01.1	1080K	JUL 01/03	01.1
1050	JUL 01/03	01.1	1080L	JUL 01/03	01.1
1051	JUL 01/03	01.1	1080M	JUL 01/03	01.1
1052	JUL 01/03	01.1	1080N	JUL 01/03	01.1
1053	JUL 01/03	01.1	1080O	JUL 01/03	01.1
1054	JUL 01/03	01.1	1080P	BLANK	
1055	JUL 01/03	01.1	1080Q	JUL 01/03	01.1
1056	JUL 01/03	01.1	1080R	JUL 01/03	01.1
1057	JUL 01/03	01.1	1080S	JUL 01/03	01.1
1058	JUL 01/03	01.1	1080T	JUL 01/03	01.1
1059	JUL 01/03	01.1	1080U	JUL 01/03	01.1
1060	JUL 01/03	01.1	1080V	JUL 01/03	01.1
1061	BLANK		1080W	JUL 01/03	01.1
1062	JUL 01/03	01.1	1080X	JUL 01/03	01.1
1063	JUL 01/03	01.1			
1064	JUL 01/03	01.1			
1065	JUL 01/03	01.1			
1066	JUL 01/03	01.1			
1067	JUL 01/03	01.1			
1068	JUL 01/03	01.1			
1069	JUL 01/03	01.1			
1070	JUL 01/03	01.1			
1071	JUL 01/03	01.1			
1072	JUL 01/03	01.1			
1073	JUL 01/03	01.1			
1074	JUL 01/03	01.1			
1075	JUL 01/03	01.1			

* = REVISED, ADDED OR DELETED

25-63-11

EFFECTIVE PAGES
LAST PAGE Page 2
01 Jul 01/04

TABLE OF CONTENTS

<u>Paragraph Title</u>	<u>Page</u>
Description and Operation	1
Testing and Fault Isolation	101
Disassembly*[1]
Cleaning.*[1]
Check*[1]
Repair.	601
Assembly.*[1]
Fits and Clearances (not applicable)	
Special Tools*[2]
Illustrated Parts List.	1001

*[1] Use applicable procedures in 20-11-04 and standard industry practices.

*[2] Special instructions not required.

INTRODUCTION

The instructions in this manual provide the information necessary to perform maintenance functions including test, fault isolation, and replacement of defective components.

This manual is divided into separate sections:

- | | |
|--|------------------------------|
| 1. Title Page | 4. List of Effective Pages |
| 2. Record of Revisions | 5. Table of Contents |
| 3. Temporary Revision &
Service Bulletin Record | 6. Introduction |
| | 7. Procedures & IPL Sections |

Refer to the Table of Contents for the page location of applicable sections.

An explanation of the use of the Illustrated Parts List is provided in the Introduction to that section.

All weights and measurements used in the manual are in English units, unless otherwise stated. When metric equivalents are given they will be in parentheses following the English units.

Design changes, optional parts, configuration differences and Service Bulletin modifications create alternate part numbers. These are identified in the Illustrated Parts List (IPL) by adding an alphabetical character to the basic item number. The resulting item number is called an alpha-variant. Throughout the manual, IPL basic item number references also apply to alpha-variants unless otherwise indicated.

Verification:

25-63-11

INTRODUCTION

01

Page 1

Nov 01/00



ABBREVIATED ATTENDANTS PANEL ASSEMBLY

DESCRIPTION AND OPERATION

1. The abbreviated attendants panel assembly has switches and indicator(s) installed on a faceplate. A wire bundle connects the various components and contains a connector, which is the interface between the panel assembly and the airplane wiring.

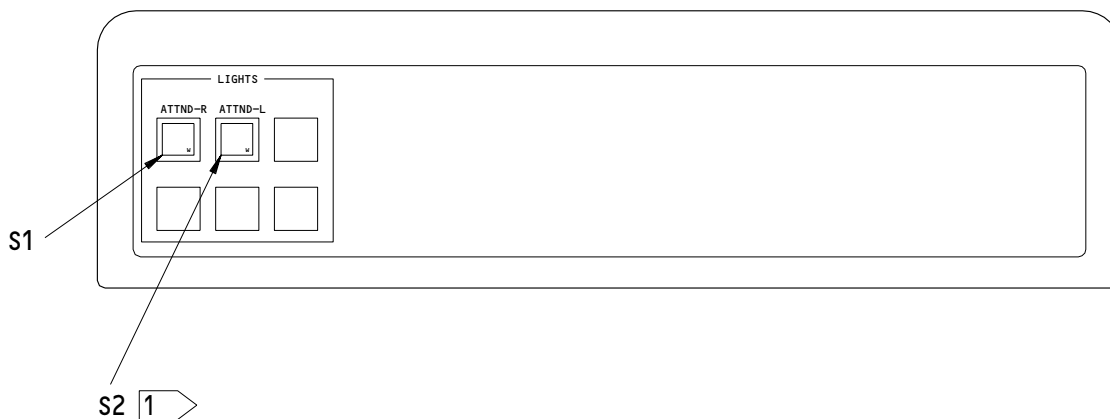
25-63-11

DESCRIPTION & OPERATION

01

Page 1

Nov 01/00

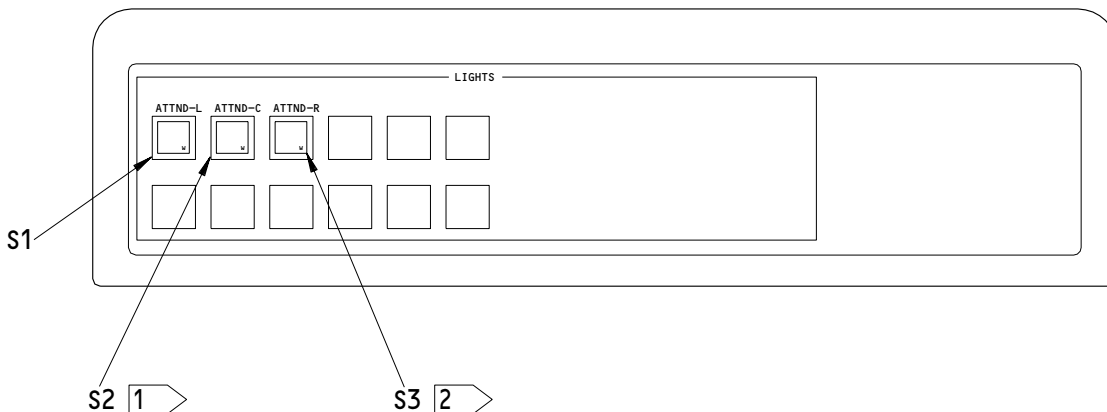


1 FOR 285T0659-14

285T0659-1,-14
Component Identification
Figure 1

25-63-11

DESCRIPTION & OPERATION
01 Page 2
Nov 01/00



1 FOR 285T0659-2,-11,-12,-15,-16,-17,-20
 -25,-26,-38 THRU -41,-43,-44,-45,-48

2 FOR 285T0659-20

285T0659-2,-3,-7,-8,-9,-11,-12,-13,-15,-16,-17,-19,-20,-23,
 -25 thru -28,-34,-38 thru -46,-48,-49

Component Identification

Figure 2

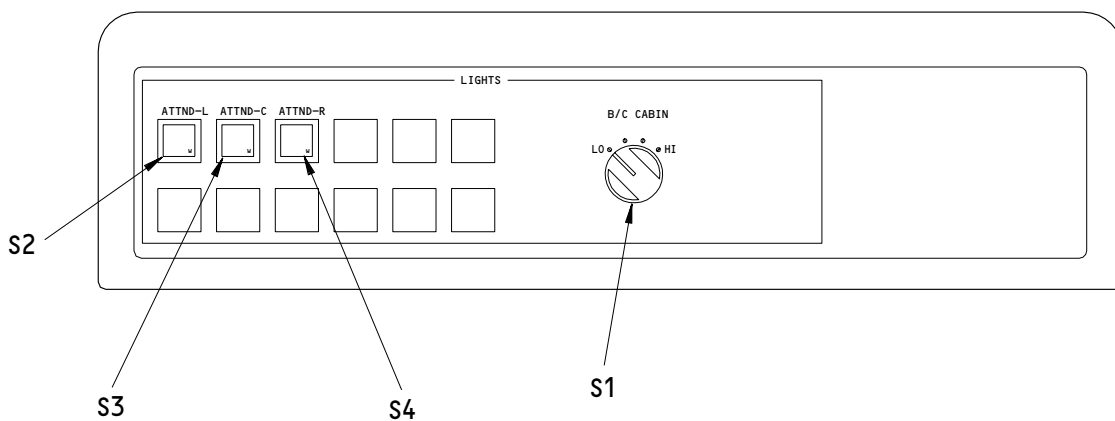
25-63-11

DESCRIPTION & OPERATION

01.1

Page 3

Jul 01/03



285T0659-21,-30
 Component Identification
 Figure 3

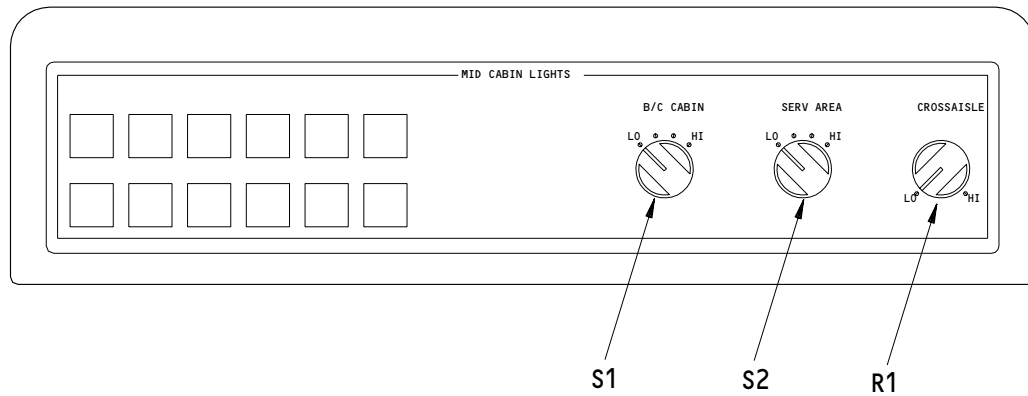
25-63-11

DESCRIPTION & OPERATION

01

Page 4

Nov 01/00



285T0659-22
Component Identification
Figure 4

25-63-11

DESCRIPTION & OPERATION

01

Page 5

Nov 01/00

TESTING AND FAULT ISOLATION

1. Equipment

- A. Multimeter -- Any Simpson 260 series (or equivalent)
- B. Power Supply -- 28 \pm 1V dc, having a maximum capability of at least 2.0 amp
- C. Test Connectors --
 - (1) BACC45FN16B245 (mates with P1, 285T0659-1, -2, -3, -7, -21, -22, -30) (Boeing breakout box A33003-2 and cable A33003-30 may be used)
 - (2) BACC45FN10B5S (mates with P1, 285T0659-8, -9, -11 thru -17, -20, -23, -25 thru -28, -34, -38 thru -46, -48, -49) (Boeing breakout box A33003-2 and cable A33003-376 may be used)
 - (3) BACC45FN10B5S6 (mates with P1, 285T0659-19)

2. Functional Test

- A. Refer to the figures in the Description and Operation section for component locations. Refer to the figures in this Testing and Fault Isolation section for the schematics.
- B. Connect UUT to test connectors.
- C. In the following tests CON indicates continuity, which is less than 3 ohms. OPEN is greater than 1.5 Mohms. Maintain all power connections until you are directed to remove them. Each line of text is a separate test. Success of any particular test is based only on the success criteria on the particular line of text; ignore other indicators or criteria.
- D. ATTEND Switch Test (285T0659-1, 3, -7, -8, -9, -13, -19, -23, -27, -28, -34, -42, -46, -49)(S1)

25-63-11

TESTING & FAULT ISOLATION
01.1 Page 101
Jul 01/03



BOEING
COMPONENT
MAINTENANCE MANUAL

Apply 28V dc/GND to Pins	Switch Operations	Measure Pin-to-Pin	Measured Resistance	Switch Indicator
P1-2/P1-3 Remove power Connections	 Press S1 ON Press S1 OFF	 P1-2/P1-1 P1-2/P1-1	 CON OPEN	S1 ON

E. ATTEND Switches Test (285T0659-2, -11, -12, -14, -15, -16, -25, -26, -38 thru -41, -43, -44, -45, -48)(S1, S2)

Apply 28V dc/GND to Pins	Switch Operations	Measure Pin-to-Pin	Measured Resistance	Switch Indicator
P1-2/P1-3 P1-4/P1-3 Remove power Connections	 Press S1 ON Press S2 ON Press S1 OFF Press S2 OFF	 P1-1/P1-2 P1-1/P1-4 P1-1/P1-2 P1-1/P1-4 P1-1/P1-4	 CON CON OPEN CON OPEN	S1 ON S2 ON

F. ATTEND Switches Test (285T0659-17)(S1, S2)

25-63-11

TESTING & FAULT ISOLATION
01.1 Page 102
Jul 01/03



BOEING
COMPONENT
MAINTENANCE MANUAL

Apply 28V dc/GND to Pins	Switch Operations	Measure Pin-to-Pin	Measured Resistance	Switch Indicator
P1-2/P1-3 P1-4/P1-3 Remove power Connections	Press S2 ON Press S1 ON Press S2 OFF Press S1 OFF	P1-2/P1-1 P1-4/P1-1 P1-2/P1-1 P1-4/P1-1 P1-4/P1-1	CON CON OPEN CON OPEN	S2 ON S1 ON

G. ATTEND Switches Test (285T0659-20)(S1, S2, S3)

Apply 28V dc/GND to Pins	Switch Operations	Measure Pin-to-Pin	Measured Resistance	Switch Indicator
P1-5/P1-3 P1-4/P1-3 P1-2/P1-3 Remove power Connections	Press S1 ON Press S2 ON Press S3 ON Press S1 OFF Press S2 OFF Press S3 OFF	P1-5/P1-1 P1-4/P1-1 P1-2/P1-1 P1-5/P1-1 P1-4/P1-1 P1-2/P1-1 P1-4/P1-1 P1-2/P1-1 P1-2/P1-1	CON CON CON OPEN CON CON OPEN CON OPEN	S1 ON S2 ON S3 ON

H. ATTEND Switches Test (285T0659-21, -30)(S2, S3, S4)

25-63-11

TESTING & FAULT ISOLATION
01 Page 103
Nov 01/00



BOEING
COMPONENT
MAINTENANCE MANUAL

Apply 28V dc/GND to Pins	Switch Operations	Measure Pin-to-Pin	Measured Resistance	Switch Indicator
P1-4/P1-3 P1-2/P1-3 P1-5/P1-3				S2 ON S3 ON S4 ON
Remove power Connections				
	Press S2 ON	P1-4/P1-1	CON	
	Press S3 ON	P1-2/P1-1	CON	
	Press S4 ON	P1-5/P1-1	CON	
	Press S2 OFF	P1-4/P1-1	OPEN	
		P1-2/P1-1	CON	
		P1-5/P1-1	CON	
	Press S3 OFF	P1-2/P1-1	OPEN	
		P1-5/P1-1	CON	
	Press S4 OFF	P1-5/P1-1	OPEN	

I. B/C CABIN Switch Test (285T0659-21, -30)(S1)

(1) Verify CON between pins 6 and 10.

Measure Pin-to-Pin	S1 Position/Measured Resistance			
	POS 1-Full CCW	POS 2	POS 3	POS 4
P1-10/P1-7	OPEN	OPEN	OPEN	CON
P1-10/P1-9	OPEN	OPEN	CON	CON
P1-11/P1-12	OPEN	CON	CON	CON
P1-14/P1-15	CON	OPEN	OPEN	OPEN
P1-10/P1-8	OPEN	CON	CON	CON

J. B/C CABIN Switch Test (285T0659-22)(S1)

25-63-11

TESTING & FAULT ISOLATION
01 Page 104
Nov 01/00

Measure Pin-to-Pin	S1 Position/Measured Resistance			
	POS 1-Full CCW	POS 2	POS 3	POS 4
P1-10/P1-7	OPEN	OPEN	OPEN	CON
P1-10/P1-9	OPEN	OPEN	CON	CON
P1-14/P1-15	CON	OPEN	OPEN	OPEN
P1-10/P1-2	OPEN	CON	CON	CON

K. SERV AREA Switch Test (285T0659-22)(S2)

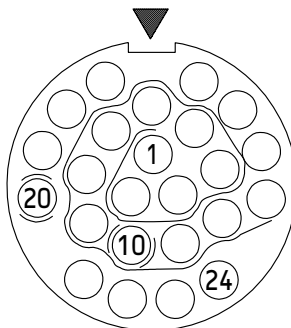
Measure Pin-to-Pin	S2 Position/Measured Resistance			
	POS 1-Full CCW	POS 2	POS 3	POS 4
P1-10/P1-4	OPEN	OPEN	OPEN	CON
P1-10/P1-5	OPEN	OPEN	CON	CON

L. Relay Test (285T0659-22)(K1, K2)

- (1) Place S1 and S2 in the fully CCW position.

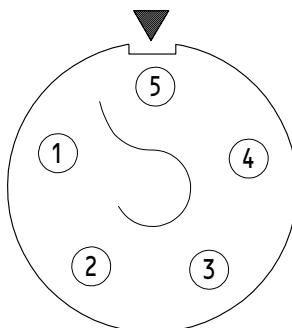
Apply 28V dc/GND to Pins	Relay Operations due to Voltage Applied	Measure Pin-to-Pin	Measured Resistance
P1-1/P1-11 Remove Power Connections	K1,K2 Energized	P1-6/P1-7 P1-6/P1-9 P1-10/P1-4 P1-10/P1-5	CON CON CON CON
	K1,K2 De-energized	P1-6/P1-7 P1-6/P1-9 P1-10/P1-4 P1-10/P1-5	OPEN OPEN OPEN OPEN

MAJOR KEY POSITION



RECEPTACLE MAP FOR P1
 PIN INSERT SIDE
 285T0659-1,-2,-3,-7,-21,-22,-30

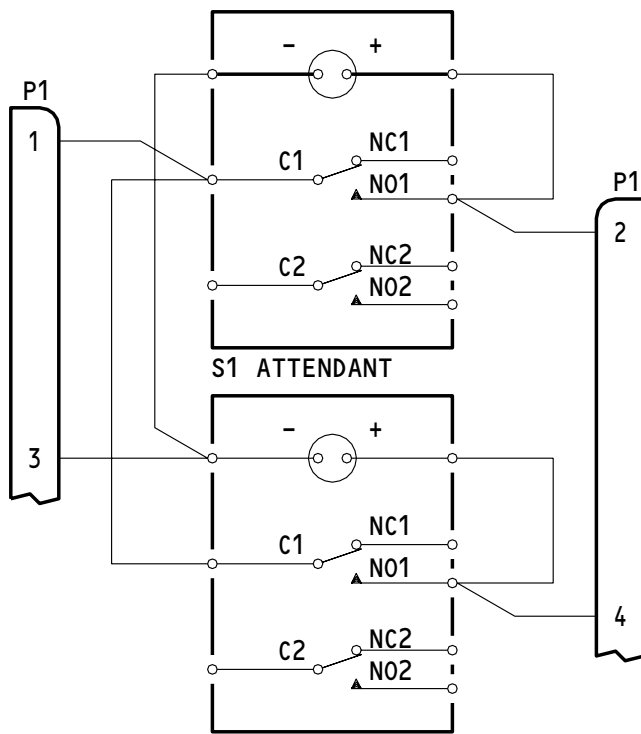
MAJOR KEY POSITION



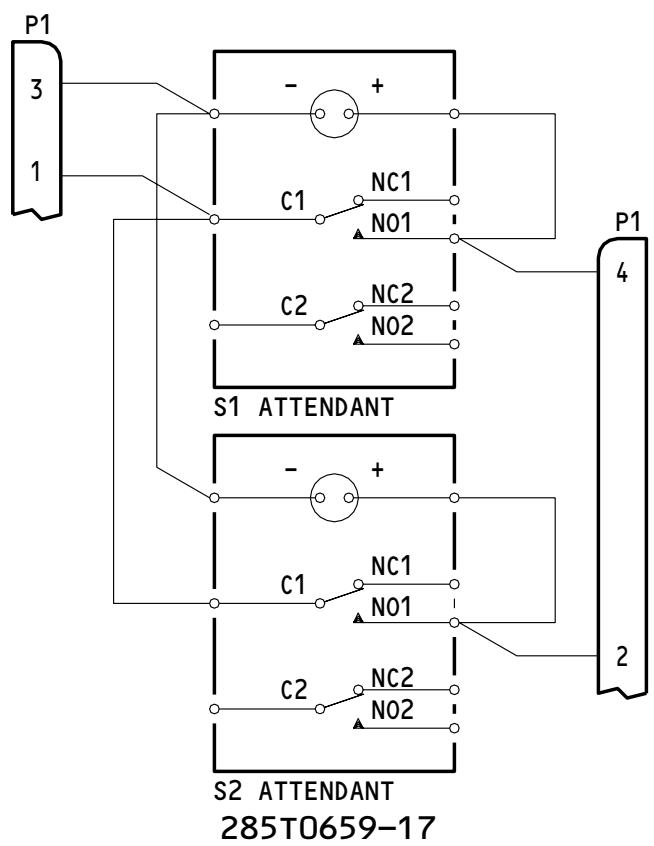
RECEPTACLE MAP FOR P1
 PIN INSERT SIDE
 285T0659-8,-9,-11 THRU -17,-19,-20,-23,
 -25 THRU -28,-34,-38 THRU -46,-48,-49

Receptacle Maps
 Figure 101

25-63-11



S2 ATTENDANT 1
285T0659-1,-2,-3,-7,-8,-9,-11 THRU -16,-19,-23,-25 THRU -28,-34,-38 THRU -46,-48,-49



NOTE: ALL WIRES ARE 22 AWG FOR 285T0659-1 UNLESS SHOWN DIFFERENTLY.

ALL WIRES ARE 20 AWG FOR 285T0659-2,-3,-7,-8,-9,-11,-12,-13,-15,-16,-17,-19,-28,-38 THRU -46,-48,-49 UNLESS SHOWN DIFFERENTLY.

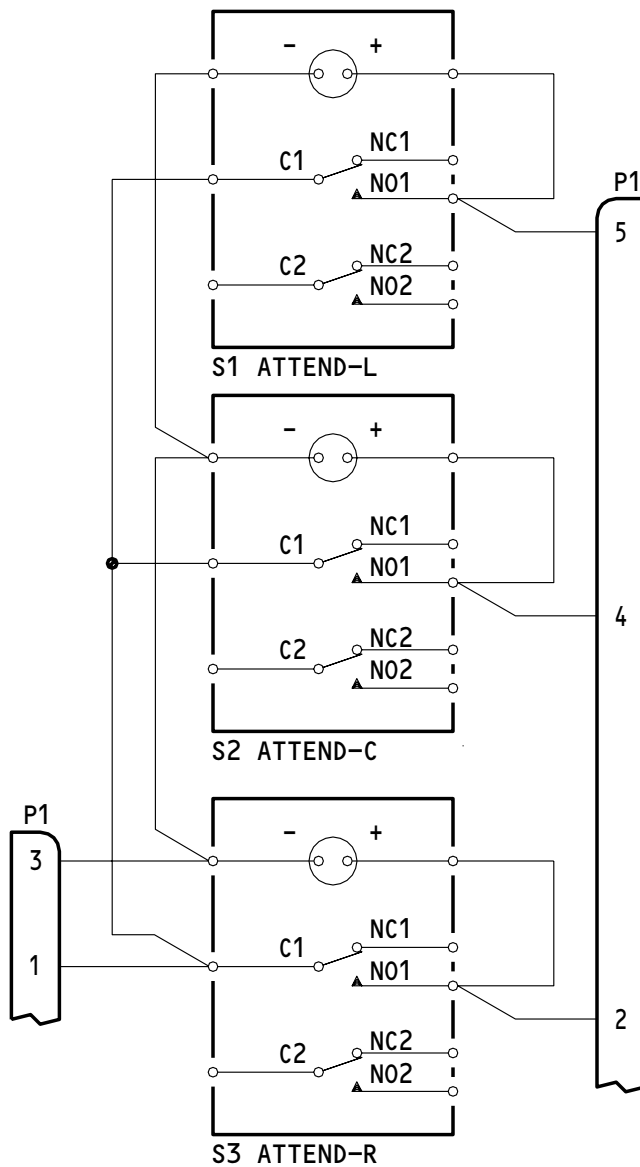
ALL WIRES ARE 18 AWG FOR 285T0659-14,-23,-25,-26,-27,-34 UNLESS SHOWN DIFFERENTLY.

1 FOR 285T0659-2,-11,-12,-14,-15,-16,-25,-26,-38 THRU -41,-43,-44,-45,-48

285T0659-1,-2,-3,-7,-8,-9,-11 THRU -17,-19,-23,-25 THRU -28,-34,-38 THRU -46,-48,-49

Schematic Diagram
Figure 102

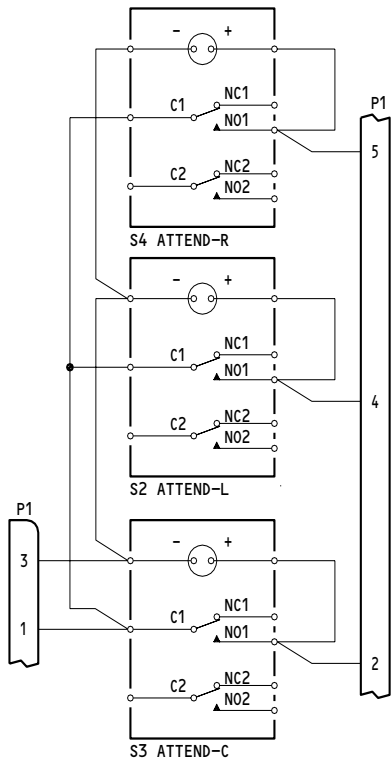
25-63-11



NOTE: ALL WIRES ARE AWG 20 UNLESS SHOWN DIFFERENTLY.

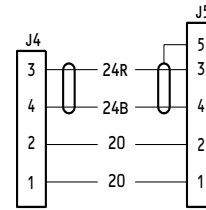
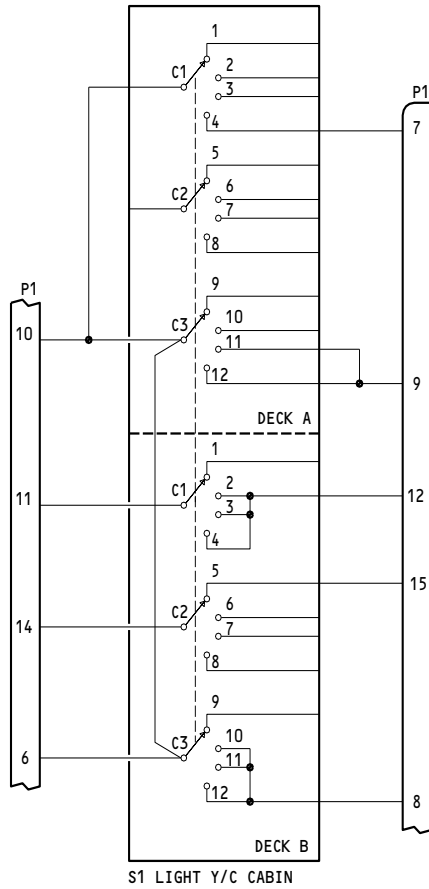
285T0659-20
 Schematic Diagram
 Figure 103

25-63-11

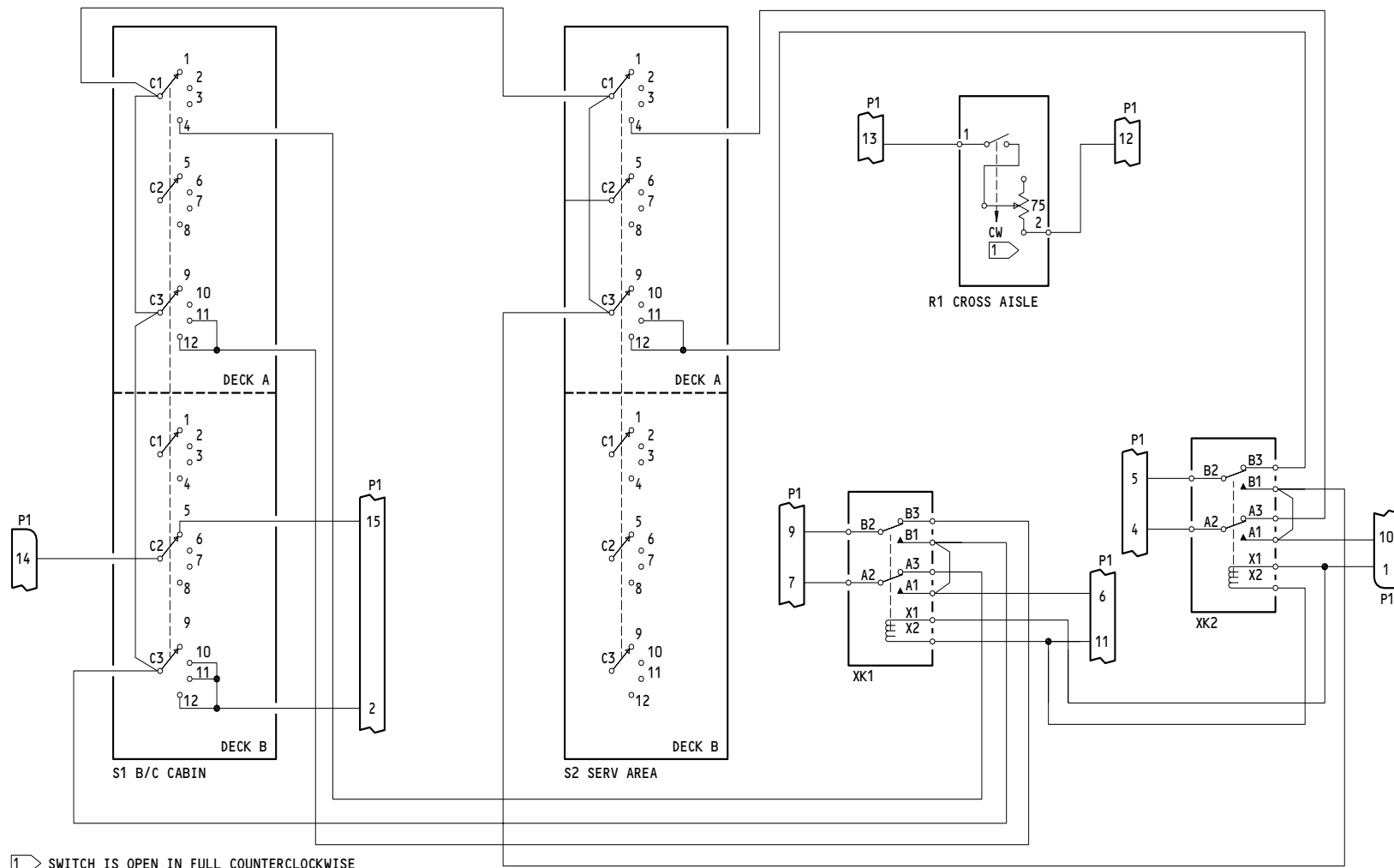


NOTE: ALL WIRES ARE AWG 20 FOR 285T0659-30 UNLESS SHOWN DIFFERENTLY.

FOR 285T0659-21: WIRES CONNECTED TO S1 ARE AWG 20. OTHER WIRES CONNECTED TO P1 ARE 18 AWG. OTHER WIRE SIZES ARE AS INDICATED.



285T0659-21,-30
Schematic Diagram
Figure 104



1 SWITCH IS OPEN IN FULL COUNTERCLOCKWISE POSITION, CLOSED IN OTHER POSITIONS

285T0659-22
Schematic Diagram
Figure 105

REPAIR – GENERAL

1. Material

A. Varglas, non-fray type H0 or HP (V79074: Varflex Corporation, 512 West Court Street, PO Box 551, Rome, New York 13440-4010)

2. All repair may be accomplished with standard industry practices, procedures contained in SOPM 20-11-05 and the following paragraphs in this repair section. If there is a conflict, this repair section shall take precedence.

A. When you replace electronic parts, use only those specified in the Illustrated Parts List (IPL). Do not use unapproved parts such as "unscreened" parts not called out in the IPL.

B. When you replace wires, make sure that the wires are installed per the following:

(1) Separate wire bundles by air separation (by a neutral bundle) or by use of shielded wires (Varglas sleeving should be used in the pressurized area).

(2) Maintain the wire separation color coding per Table 601. Wire bundles that are not sleeved or shielded or that are shielded for purpose other than separation are color-coded to identify the functional separation category:

Functional Separation Category	Wire Bundle Tying Material Color
L (Left Power System)	Red
R (Right Power System)	Green
C (Center Bus Power)	Yellow
A (APU Power and Ground)	Orange
S (Battery Power)	Blue
N (Non-Redundant, Non-Power)	White

Wire Separation Color Code
Table 601

25-63-11

REPAIR-GENERAL

01

Page 601

Nov 01/00

 **BOEING**
COMPONENT
MAINTENANCE MANUAL

- (3) Install wire bundles with 0.25 inch (0.635 cm) minimum spacing when air space is the means of separation between categories. Wire bundles may kept separated by using spacers P/N BACS45A() or 63-9273-(). Spacers must be tied to wire bundle(s) with lacing tape.
- (4) Apply the followings when wire bundles of different separation categories are routed and tied together:
 - (a) Two or more bundles, all sleeved: Use white lacing tape.
 - (b) One or more sleeved and one unsleeved bundle: Use lacing tape color of unsleeved bundle.
 - (c) One or more neutral bundles and one color-coded bundle: Use lacing tape color of color-coded bundle.
- (5) Make sure to maintain wire bundle and wire segment sleeving and clamping following any repair.

25-63-11

REPAIR-GENERAL

01 Page 602

Nov 01/00

ILLUSTRATED PARTS LIST

1. This section lists and illustrates replaceable or repairable component parts. The Illustrated Parts Catalog contains a complete explanation of the Boeing part numbering system.

2. Indentures show parts relationships as follows:

Assembly

Detail Parts for Assembly

Subassembly

Attaching Parts for Subassembly

Detail Parts for Subassembly

Detail Installation Parts (Included only if installation parts may be returned to shop as part of assembly)

3. One use code letter (A, B, C, etc.) is assigned in the EFF CODE column for each variation of top assembly. All listed parts are used on all top assemblies except when limitations are shown by use code letter opposite individual part entries.

4. Letter suffixes (alpha-variants) are added to item numbers for optional parts, Service Bulletin modification parts, configuration differences (Except left- and right-hand parts), product improvement parts, and parts added between two sequential item numbers. The alpha-variant is not shown on illustrations when appearance and location of all variants of the part is the same.

5. Service Bulletin modifications are shown by the notations PRE SB XXXX and POST SB XXXX.

A. When a new top assembly part number is assigned by Service Bulletin, the notations appear at the top assembly level only. The configuration differences at detail part level are then shown by use code letter.

B. When the top assembly part number is not changed by the Service Bulletin, the notations appear at the detail part level.

6. Parts Interchangeability

Optional
(OPT)

The parts are optional to and interchangeable with other parts having the same item number.

Supersedes, Superseded By
(SUPSDS, SUPSD BY)

The part supersedes and is not interchangeable with the original part.

Replaces, Replaced By
(REPLS, REPLD BY)

The part replaces and is interchangeable with, or is an alternate to, the original part.

25-63-11

ILLUSTRATED PARTS LIST

01 Page 1001

Nov 01/00



BOEING
COMPONENT
MAINTENANCE MANUAL

7. The MOD level codes in the nomenclature column, such as MOD A and MOD B, identify interchangeable top assemblies which have the same part number but which have differences at the subassembly or component levels. The IPL identifies each MOD level of a top assembly with a different item number and use code. The nameplate label identifies the MOD level of each assembly in the MOD LEVEL block.
8. Use substitute parts only as specified in the document D906-10182, Electrical/Electronic/Electromechanical and Mechanical Parts Substitution.

25-63-11

ILLUSTRATED PARTS LIST
01 Page 1002
Nov 01/00

 **BOEING**
COMPONENT
MAINTENANCE MANUAL

VENDORS

00779 TYCO ELECTRONICS CORP
2800 FULLING MILL ROAD PO BOX 3608
MIDDLETOWN, PENNSYLVANIA 17057
FORMERLY AMP INC; FORMERLY V04618

01556 EMHART FASTENING SYSTEMS GROUP HELI-COIL DIV
SHELTER ROCK LANE
DANBURY, CONNECTICUT 06810
FORMERLY HELI-COIL DIV OF BLACK AND DECKER

04169 WESTERN SKY INDUSTRIES A DIVISION OF ATLAS CORPORATION
1280 SAN LUIS OBISPO STREET
HAYWARD, CALIFORNIA 94544-7916
FORMERLY WESTERN SKY IND VB0008

11815 CHERRY AEROSPACE FASTENERS DIV OF TEXTRON
1224 EAST WARNER AVENUE PO BOX 2157
SANTA ANA, CALIFORNIA 92707-0157
FORMERLY IN LOS ANGELES, CALIF, FORMERLY CHERRY FASTENERS
TOWNSEND DIV OF TEXTRON INC V71087

15084 DUPREE INC AEROSPACE KNOB CO DIV
14395 RAMONA PO BOX 1797
CHINO, CALIFORNIA 91708-1797
FORMERLY AEROSPACE KNOB CO DIV OF DUPREE INC
FORMERLY IN SOUTH EL MONTE, CALIFORNIA

15653 FAIRCHILD FASTENERS KAYNAR PRODUCTS DIV
800 S STATE COLLEGE BLVD
FULLERTON, CALIFORNIA 92831-3001
FORMERLY VK6405 MICRODOT AEROSP LTD; FORMERLY KAYNAR TECH
KAYNAR DIV

29372 FAIRCHILD IND INC AEROSP FSTNRS DIV SOUTHBAY OPNS/TRIDAIR
3000 WEST LOMITA BLVD
TORRANCE, CALIFORNIA 90505-5103
FORMERLY CALFAX INC V11907; NEWTON INSERT CO V98004;REXNORD
INC SPECIALTY FASTENER DIV AND DELRON CO V82831; REXNORD
INC TRIDAIR IND

52828 REPUBLIC FASTENER MFG CORP
1300 RANCHO CONEJO BLVD
NEWBURY PARK, CALIFORNIA 91320-1405
FORMERLY IN SYLMAR, CALIFORNIA

25-63-11

ILLUSTRATED PARTS LIST
01.1 Page 1003
Jul 01/03

VENDORS

58657 LEACH INTERNATIONAL OF NORTH AMERICA
6900 ORANGETHORPE AVE PO BOX 5032
BUENA PARK, CALIFORNIA 90622-5032
FORMERLY LEACH CORP V35344 AND V00614

71468 ITT CANNON DIV OF ITT CORP
666 EAST DYER ROAD
SANTA ANA, CALIFORNIA 92702
FORMERLY CANNON ELECTRIC CO AND ITT CANNON ELECTRIC AND
ITT CANNON ELECTRIC DIV OF INTERNATIONAL TELEPHONE CORP
FORMERLY IN LOS ANGELES AND FOUNTAIN VALLEY, CALIFORNIA
FORMERLY ITT CANNON ELECTRIC SALEM DIV, SALEM, MA V91146

72962 HARVARD INDUSTRIES INC
3 WERNER WAY SUITE 210
LEBANON, NEW JERSEY 08833
FORMERLY AMERACE CORP ESNA DIV
FORMERLY ELASTIC STOP NUT IN UNION, NJ

75345 KIRKHILL RUBBER CO
300 EAST CYPRESS STREET
BREA, CALIFORNIA 92621-4007
FORMERLY L.A. STANDARD RUBBER CO V84914

80539 SPS TECHNOLOGIES INC AEROSPACE PRODUCTS DIV
2701 SOUTH HARBOR BOULEVARD PO BOX 1259
SANTA ANA, CALIFORNIA 92702-1259
FORMERLY NUTT-SHEL DIV OF SPC WESTERN CO V80539
AND STANDARD PRESSED STEEL WESTERN DIV V17279

81073 GRAYHILL, INCORPORATED
561 HILLGROVE AVENUE PO BOX 10373
LA GRANGE, ILLINOIS 60525-5914

84914 LOS ANGELES STD RUBBER CO SEE KIRKHILL RUBBER CO V75345

91929 HONEYWELL INC MICRO SWITCH DIV
11 WEST SPRING STREET
FREEPORT, ILLINOIS 61032
FORMERLY MICRO SWITCH A DIV OF HONEYWELL
FORMERLY V74059 AND V40228

92215 FAIRCHILD IND INC FAIRCHILD AEROSPACE FASTENER DIV
3010 W LOMITA BLVD
TORRANCE, CALIFORNIA 90505-5102
FORMERLY VOI-SHAN IN CULVER CITY, CALIF

25-63-11

ILLUSTRATED PARTS LIST
01.1 Page 1004
Jul 01/03

 **BOEING**
COMPONENT
MAINTENANCE MANUAL

VENDORS

94222 SOUTHCO INCORPORATED
210 NORTH BRINTONLAKE RD PO BOX 116
CONCORDVILLE, PENNSYLVANIA 19331-0116
FORMERLY SOUTH CHESTER CORP. SOUTHCO DIVN V24248
FORMERLY IN LESTER, PENNSYLVANIA

95266 O E C O CORP
4607 SE INTERNATIONAL WAY
MILWAUKIE, OREGON 97222
FORMERLY OSBOURNE ELECTRIC IN PORTLAND, OREGON

95272 STILLMAN SEL CORP
6020 AVENIDA ENCINAS
CARLSBAD, CALIFORNIA 92009-1001
FORMERLY SARGENT IND

97393 SHUR-LOK CORPORATION
2541 WHITE ROAD PO BOX 19584
IRVINE, CALIFORNIA 92713
FORMERLY SHUR LOK CORP VB0060
FORMERLY IN SANTA ANA, CALIFORNIA 92714

25-63-11

ILLUSTRATED PARTS LIST
01.1 Page 1005
Jul 01/03



BOEING
COMPONENT
MAINTENANCE MANUAL

REFERENCE DESIGNATOR INDEX (SEE SCHEMATIC DIAGRAM)		
REFERENCE DESIGNATOR	PART NUMBER	FIG-ITEM
J4	AXR4-31	4-55
J4	XLR4-31	55A
J5	BACC45FT10B5P	60
K1	JAD9F007	5-130
K2	JAD9F007	130
P1	BACC45FT10B5P	1-150A
P1	BACC45FT10B5P	2-175A
P1	BACC45FT10B5P	3-195
P1	BACC45FT10B5P	7-135
P1	BACC45FT10B5P	8-150
P1	BACC45FT10B5P	9-150
P1	BACC45FT10B5P	10-150
P1	BACC45FT10B5P6	2-175B
P1	BACC45FT16B24P	1-150
P1	BACC45FT16B24P	2-175
P1	BACC45FT16B24P	4-195
P1	BACC45FT16B24P	5-140
R1	200-26542-01	110
S1	2100-3	1-90
S1	2100-3	2-90
S1	2100-3	3-105
S1	2100-3	7-110
S1	2100-3	8-125
S1	2100-3	9-125
S1	2100-3	10-125
S1	44MY232797	4-145
S1	44YY23734	5-105
S2	2100-3	1-95
S2	2100-3	2-95
S2	2100-3	3-110
S2	2100-3	8-125
S2	2100-3	10-125
S2	44YY23734	5-105
S2-S4	2100-3	4-150
S3	2100-3	3-115
XK1	BACS16X3	5-135
XK2	BACS16X3	135

25-63-11

ILLUSTRATED PARTS LIST
01.1 Page 1006
Jul 01/03



BOEING
COMPONENT
MAINTENANCE MANUAL

PART NUMBER	AIRLINE PART NO.	FIG.	ITEM	TTL REQ
AML78CB001		1	135	1
		1	140	4
		2	155	10
		2	160	1
		3	165	9
		3	170	1
		3	175	1
		4	175	9
		5	120	12
		6	100	6
AN960-4L AN960PD8L		7	125	11
		7	127	1
		8	145	10
		9	145	11
		10	145	10
		10	147	2
		4	45	2
		1	7	6
		3	10	6
		4	10	6
AXR4-31 BACC10DK		5	15	6
		6	15	6
		7	15	6
		4	55	1
		1	145	1
		2	165	1
		3	25	1
BACC10DK3		4	25	2
		4	190	1
		5	125	1
		7	25	1
		8	95	1
		9	95	1
		10	95	1
BACC45FT10B5P		1	150A	1
		2	175A	1
		3	195	1
		4	60	1
		7	135	1
		8	150	1
		9	150	1
		10	150	1
		2	175B	1
		1	150	1
BACC45FT10B5P6 BACC45FT16B24P BACC45FT16B24P		2	175	1
		4	195	1
		5	140	1

25-63-11

ILLUSTRATED PARTS LIST
01.1 Page 1007
Jul 01/03



BOEING
COMPONENT
MAINTENANCE MANUAL

PART NUMBER	AIRLINE PART NO.	FIG.	ITEM	TTL REQ
BACN10JC08		2	13	1
		5	20	1
BACN10JC08C		8	20	1
		9	20	1
		10	20	1
BACN10TL3-10		4	230	2
BACP20BA1		2	170	1
		7	30	1
BACR11AM2		1	177	4
		2	202	2
		3	217	2
		6	120	4
		7	157	2
		8	115	2
		9	115	2
		10	115	2
BACR12AG2C		1	50	1
		1	70	1
		2	50	1
		2	70	1
		3	65	1
		3	85	1
		4	100	1
		4	120	1
		5	60	1
		5	80	1
		6	55	1
		6	75	1
		7	70	1
BACR12AG2C		7	90	1
		8	60	1
		8	80	1
		9	60	1
		9	80	1
		10	60	1
		10	80	1
BACR13CJ2		5	130	2
BACR15BA3		1	176	8
		2	201	4
		3	216	4
		6	115	8
		7	156	4
BACR15BA3AD		8	110	4
		9	110	4
		10	110	4
BACS12CB08-4		1	5	6
		2	5A	6

25-63-11

ILLUSTRATED PARTS LIST
01.1 Page 1008
Jul 01/03



BOEING
COMPONENT
MAINTENANCE MANUAL

PART NUMBER	AIRLINE PART NO.	FIG.	ITEM	TTL REQ
BACS16X3 BACS21AP8OR		5	135	2
		1	45	1
		1	65	1
		2	45	1
		2	65	1
		3	60	1
		3	80	1
		4	95	1
		4	115	1
		5	55	1
		5	75	1
		6	50	1
		6	70	1
		7	65	1
		7	85	1
		8	55	1
		8	75	1
		9	55	1
		9	75	1
	BACS21AP8OR BACS21AP8ORP		10	55
		10	75	1
		1	45A	1
		1	65A	1
		2	45A	1
		2	65A	1
		3	60A	1
		3	80A	1
		4	95A	1
		4	115A	1
		5	55A	1
		5	75A	1
		6	50A	1
		6	70A	1
		7	65A	1
		7	85A	1
		8	55A	1
		8	75A	1
		9	55A	1
		9	75A	1
	10	55A	1	
	10	75A	1	
BACW10EC08C		8	10	6
		9	10	6
		10	10	6
BAC27TPPS0131		1	180	1
		6	130	1

25-63-11

ILLUSTRATED PARTS LIST
01.1 Page 1009
Jul 01/03


BOEING
 COMPONENT
 MAINTENANCE MANUAL

PART NUMBER	AIRLINE PART NO.	FIG.	ITEM	TTL REQ		
BAC27TPPS4099		1	185	1		
		2	205B	1		
		3	220	1		
		6	135	1		
		7	160A	1		
		8	155	1		
		BAC27TPPS4101		2	205	1
				4	240	1
7	160B			1		
8	155C			1		
BAC27TPPS4102		2	205A	1		
		3	220A	1		
		7	160	1		
		8	155A	1		
		BRH10A08		2	13	1
5	20			1		
BRH10C08		8	20	1		
		9	20	1		
BRH10C08		10	20	1		
		H10-08BAC		2	13	1
5	20			1		
H31-08BAC				8	20	1
		9	20	1		
		10	20	1		
JAD9F007		5	130	2		
MS21042-04		4	50	2		
MS21042L04		4	50A	2		
MS21042L08		3	20	1		
		4	30	1		
		7	20A	1		
		4	30B	1		
		4	40	2		
		MS35190-223		1	10	6
				2	10	6
3	15			6		
4	15			6		
5	10			6		
6	10			6		
7	10			6		
MS35338-137				4	15B	6
				6	10A	6
				7	10A	6
MS51957-41		6	5A	6		
		7	5A	6		
		8	5	6		
		9	5	6		
		10	5	6		

25-63-11

 ILLUSTRATED PARTS LIST
 01.1 Page 1010
 Jul 01/03



BOEING
COMPONENT
MAINTENANCE MANUAL

PART NUMBER	AIRLINE PART NO.	FIG.	ITEM	TTL REQ
MS51957-42		4	5B	6
MS51957-43		10	5A	6
NAS1149CN816R		4	10B	6
		6	15A	6
		7	15A	6
		8	15	6
		9	15	6
		10	15	6
NAS1394-08		1	30	6
		2	30	6
		3	45	6
		4	80	6
		5	40	6
NAS1394-08		6	35	6
		7	50	6
		8	40	6
		9	40	6
		10	40	6
NAS1801-08-4		1	5A	6
		2	5	6
		3	5	6
		4	5	6
		5	5	6
		6	5	6
		7	5	6
NAS1801-3-10		4	20	1
		4	185	1
NS202101-82		2	13	1
		5	20	1
NS202101S82		8	20	1
		9	20	1
		10	20	1
N2088		2	170	1
		7	30	1
RD409-101		4	140	1
		5	100	3
RMLH9075-82W		2	13	1
		5	20	1

25-63-11

ILLUSTRATED PARTS LIST
01.1 Page 1011
Jul 01/03



BOEING
COMPONENT
MAINTENANCE MANUAL

PART NUMBER	AIRLINE PART NO.	FIG.	ITEM	TTL REQ
SL6156-08		1	20	1
		2	20	1
		3	35	1
		4	70	1
		5	30	1
		6	25	1
		7	40	1
		8	30	1
		9	30	1
		10	30	1
SZ7105		2	170	1
		7	30	1
TNC2C0164		1	30A	6
		2	30A	6
		3	45A	6
		4	80A	6
		5	40A	6
TNC2C0164		6	35A	6
		7	50A	6
		8	40A	6
T6C832J		8	20	1
		9	20	1
		10	20	1
T6S832J		2	13	1
		5	20	1
VN303A82		2	13	1
VN303B82		5	20	1
		8	20	1
WSI4-10		9	20	1
		10	20	1
		4	230	2
		4	55A	1
XLR4-31		4	55A	1
101LH9075-82W		8	20	1
		9	20	1
		10	20	1

25-63-11

ILLUSTRATED PARTS LIST
01.1 Page 1012
Jul 01/03



BOEING
 COMPONENT
 MAINTENANCE MANUAL

PART NUMBER	AIRLINE PART NO.	FIG.	ITEM	TTL REQ		
1185-2CN0164		1	30B	6		
		2	30B	6		
		3	45B	6		
		4	80B	6		
		5	40B	6		
		6	35B	6		
		7	50B	6		
		8	40B	6		
2-295		1	177	4		
		2	202	2		
		3	217	2		
		6	120	4		
		7	157	2		
		8	115	2		
		9	115	2		
		10	115	2		
		200-26542-01 2100-100		5	110	1
				1	100	1
1	105			1		
2	100			1		
2	105			1		
3	120			1		
3	125			1		
3	130			1		
4	155			3		
7	115			1		
2100-272 2100-272				8	130	2
				9	130	1
2100-3				10	130	2
		1	90	1		
		1	95	1		
		2	90	1		
		2	95	1		
		3	105	1		
		3	110	1		
		3	115	1		
		4	150	3		
		7	110	1		
		8	125	2		
		9	125	1		
		10	125	2		

25-63-11

ILLUSTRATED PARTS LIST
 01.1 Page 1013
 Jul 01/03



BOEING
COMPONENT
MAINTENANCE MANUAL

PART NUMBER	AIRLINE PART NO.	FIG.	ITEM	TTL REQ
285T0620-41		10	155C	1
285T0620-43		10	160C	1
285T0659-1		1	1A	RF
285T0659-11		1	1G	RF
		2	1F	RF
285T0659-12		1	1H	RF
		2	1G	RF
285T0659-13		1	1J	RF
		2	1H	RF
285T0659-14		1	1K	RF
		2	1J	RF
285T0659-16		1	1M	RF
		2	1K	RF
285T0659-17		1	1N	RF
		2	1L	RF
285T0659-19		1	1P	RF
		2	1M	RF
285T0659-2		1	1B	RF
		2	1A	RF
285T0659-20		1	1Q	RF
		3	1A	RF
285T0659-21		1	1R	RF
		4	1A	RF
285T0659-22		1	1S	RF
		5	1A	RF
285T0659-23		1	1T	RF
		3	1B	RF
285T0659-25		1	1U	RF
		3	1C	RF
285T0659-26		1	1V	RF
285T0659-26		3	1D	RF
285T0659-27		1	1W	RF
		3	1E	RF
285T0659-28		1	1X	RF
		7	1A	RF

25-63-11

ILLUSTRATED PARTS LIST
01.1 Page 1014
Jul 01/03



BOEING
COMPONENT
MAINTENANCE MANUAL

PART NUMBER	AIRLINE PART NO.	FIG.	ITEM	TTL REQ
285T0659-29		1	1Y	RF
		6	1A	RF
285T0659-3		1	1C	RF
		2	1B	RF
285T0659-30		1	1Z	RF
		4	1B	RF
285T0659-32		1	2A	RF
		7	1C	RF
285T0659-33		1	2B	RF
		7	1D	RF
285T0659-34		1	2	RF
		7	1B	RF
285T0659-35		1	2C	RF
		2	1N	RF
285T0659-36		1	2D	RF
		2	1P	RF
285T0659-38		1	2E	RF
		8	1A	RF
285T0659-39		1	2F	RF
		8	1B	RF
285T0659-40		1	2G	RF
		8	1C	RF
285T0659-41		1	2H	RF
		8	1D	RF
285T0659-42		1	2J	RF
		9	1A	RF
285T0659-43		1	2K	RF
		10	1A	RF
285T0659-44		1	2L	RF
		10	1B	RF
285T0659-45		1	2M	RF
		10	1C	RF
285T0659-46		1	2N	RF
		9	1B	RF
285T0659-47		1	2P	RF
		10	1D	RF
285T0659-48		1	2Q	RF
		10	1E	RF
285T0659-49		1	2R	RF
		9	1C	RF
285T0659-7		1	1D	RF
		2	1C	RF
285T0659-8		1	1E	RF
		2	1D	RF
285T0659-9		1	1F	RF
		2	1E	RF
285T0691-1		3	100	1

25-63-11

ILLUSTRATED PARTS LIST
01.1 Page 1015
Jul 01/03



BOEING
COMPONENT
MAINTENANCE MANUAL

PART NUMBER	AIRLINE PART NO.	FIG.	ITEM	TTL REQ
285T0691-10		4	135A	1
285T0691-12		7	105B	1
285T0691-13		7	105C	1
285T0691-2		4	135	1
285T0691-3		3	100A	1
		7	105A	1
285T0691-5		3	100B	1
285T0691-8		7	105	1
285T0691-9		6	90	1
285T0692-1		4	225	1
285T0692-7		4	225A	1
285T1162-3		4	35	1
285T1211-1		7	150	1
285T1211-3		6	105	1
285T1225-1		8	100	1
		9	100	1
		10	100	1
417T6005-2		1	60	1
		2	60	1
		3	75	1
		4	110	1
		5	70	1
		6	65	1
		7	80	1
		8	70	1
		9	70	1
		10	70	1
417T6005-4		1	40	1
		2	40	1
		3	55	1
		4	90	1
		5	50	1
		6	45	1
		7	60	1
		8	50	1
		9	50	1
417T6005-4		10	50	1
417T6007-4		1	25	1
		2	25	1
		3	40	1
		4	75	1
		5	35	1
		6	30	1
		7	45	1
		8	35	1
		9	35	1
		10	35	1

25-63-11

ILLUSTRATED PARTS LIST
01.1 Page 1016
Jul 01/03



BOEING
COMPONENT
MAINTENANCE MANUAL

PART NUMBER	AIRLINE PART NO.	FIG.	ITEM	TTL REQ
417T6012-19		1	110	1
		2	120	1
		2	140	1
		3	145	1
		3	150	1
		4	165	1
		8	160A	1
	417T6012-3		1	125
		1	130	4
		2	145	1
		2	150	10
		3	180	9
		3	185	1
		3	190	1
		4	180	9
		5	115	12
		6	95	6
		7	130	11
		7	132	1
		8	170	10
		9	160	11
		10	165	10
	10	170	2	
417T6012-43		8	165C	1
417T6012-45		2	125	1
		2	132	1
		8	160B	1
		10	155	1
417T6012-47		2	127	1
		2	135	1
		8	165B	1
		10	160	1
		10	160	1
417T6012-7		1	120	1
		2	110	1
417T6012-7		2	137	1
		3	135	1
		3	155	1
		4	160	1
		7	120	1
		8	165	1
		9	155	1
		10	160B	1

25-63-11

ILLUSTRATED PARTS LIST
01.1 Page 1017
Jul 01/03



BOEING
COMPONENT
MAINTENANCE MANUAL

PART NUMBER	AIRLINE PART NO.	FIG.	ITEM	TTL REQ
417T6012-9		1	115	1
		2	115	1
		2	130	1
		3	140	1
		3	160	1
		4	170	1
		8	160	1
		8	165A	1
		10	155B	1
		417T6014-16		1
2	35			1
3	50			1
4	85			1
5	45			1
6	40			1
7	55			1
8	45			1
9	45			1
10	45			1
417T6014-3		1	75	1
		2	75	1
		3	90	1
		4	125	1
		5	85	1
		6	80	1
		7	95	1
		8	85	1
		9	85	1
		10	85	1
417T6014-6		1	55	1
		2	55	1
		3	70	1
		4	105	1
		5	65	1
		6	60	1
		7	75	1
		8	65	1

25-63-11

ILLUSTRATED PARTS LIST
01.1 Page 1018
Jul 01/03



BOEING
COMPONENT
MAINTENANCE MANUAL

PART NUMBER	AIRLINE PART NO.	FIG.	ITEM	TTL REQ		
417T6014-6		9	65	1		
		10	65	1		
417T6017-1		5	150	2		
417T6017-2		1	175	4		
		2	200	2		
		3	215	2		
		4	235	2		
		6	110	4		
		7	155	2		
		8	105	2		
		9	105	2		
		10	105	2		
		417T6017-3		1	178	4
2	203			2		
3	218			2		
6	125			4		
7	158			2		
8	120			2		
9	120			2		
10	120			2		
417T6507-10				7	35A	1
417T6507-11				7	100A	1
417T6507-12		9	25	1		
		10	25	1		
417T6507-13		9	90	1		
		10	90	1		
417T6507-4		1	15	1		
		2	15	1		
		3	30	1		
		4	65	1		
		5	25	1		

25-63-11

ILLUSTRATED PARTS LIST
01.1 Page 1019
Jul 01/03



BOEING
COMPONENT
MAINTENANCE MANUAL

PART NUMBER	AIRLINE PART NO.	FIG.	ITEM	TTL REQ
417T6507-5		1	80	1
		2	80	1
		3	95	1
		4	130	1
		5	90	1
417T6507-6		6	20	1
		7	35	1
		8	25	1
417T6507-7		6	85	1
		7	100	1
		8	90	1
417T6507-8		2	15A	1
		9	25A	1
		10	25A	1
417T6507-9		2	80A	1
		9	90A	1
		10	90A	1
417T6508-1		2	85A	1
417T6508-21		1	85A	1
417T6508-22		2	85H	1
417T6508-23		2	85J	1
417T6508-24		2	85K	1
417T6508-26		2	85L	1
417T6508-27		5	95	1
417T6508-5		1	85	1
417T6509-1		2	195A	1
		3	210	1
		7	150A	1
417T6509-5		1	170	1
417T6509-9		5	145	1
44MY232797		4	145	1
44YY23734		5	105	2
48-100-5014P02		1	165	4
		2	190	4
		4	200	1

25-63-11

ILLUSTRATED PARTS LIST
01.1 Page 1020
Jul 01/03



BOEING
 COMPONENT
 MAINTENANCE MANUAL

PART NUMBER	AIRLINE PART NO.	FIG.	ITEM	TTL REQ
4841		2	170	1
		7	30	1
60729-1		1	155	1
		2	180	1
		3	200	1
		4	205	1
		4	210	1
		7	140	1
61048-1		1	155A	1
		2	180A	1
		3	200A	1
		4	205A	1
		4	215	1
		7	140A	1
61060-1		4	210A	1
61060-1		4	215A	1
		7	140B	1
		8	135	1
		9	135	1
		10	135	1
640929-1		1	160	1
		2	185	1
		3	205	1
		4	220	1
		7	145	1
		8	140	1
		9	140	1
		10	140	1

25-63-11

ILLUSTRATED PARTS LIST
 01.1 Page 1021
 Jul 01/03

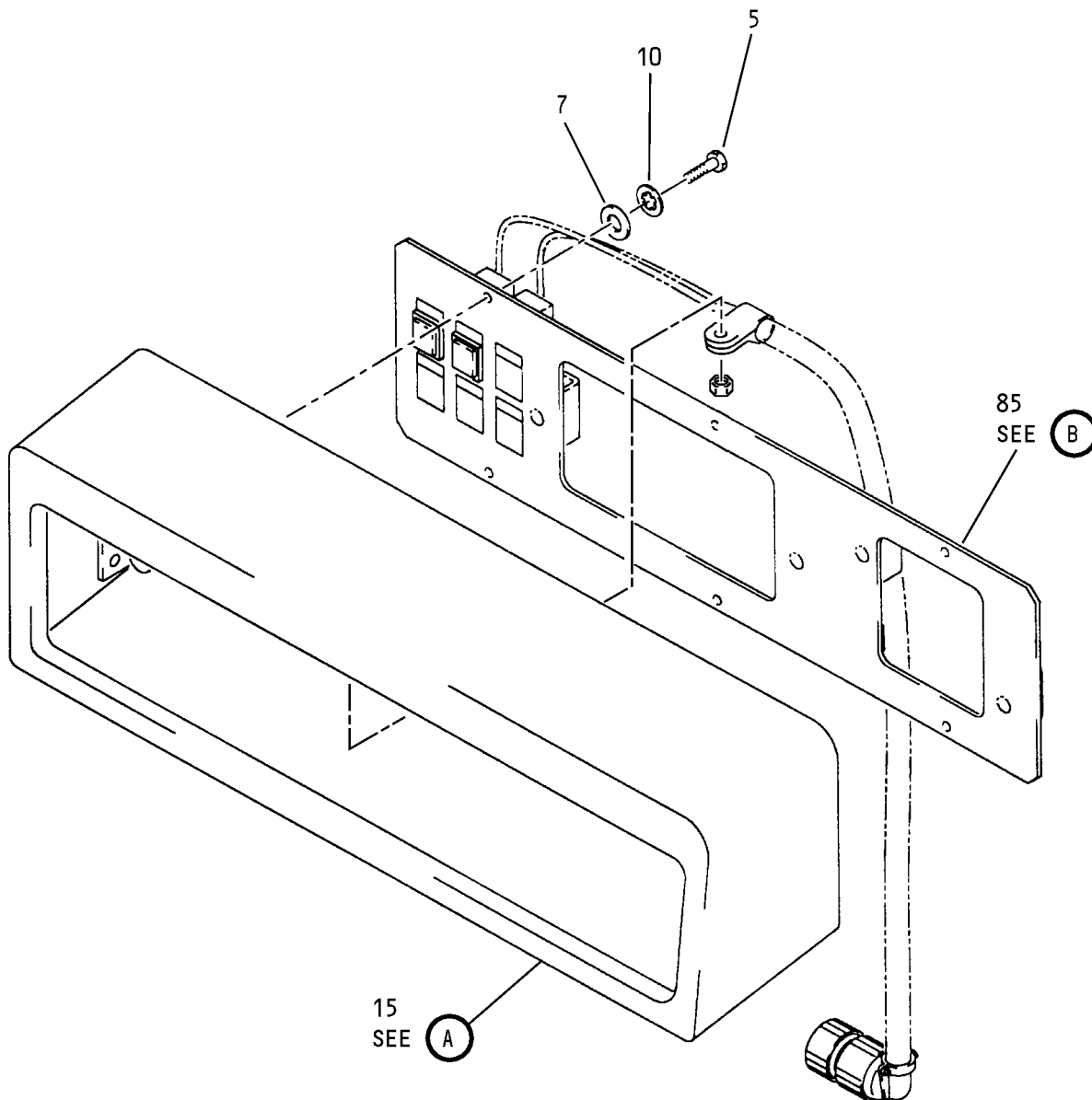


BOEING
COMPONENT
MAINTENANCE MANUAL

PART NUMBER	AIRLINE PART NO.	FIG.	ITEM	TTL REQ		
82-99-341-08		1	45A	1		
		1	65A	1		
		2	45A	1		
		2	65A	1		
		3	60A	1		
		3	80A	1		
		4	95A	1		
		4	115A	1		
		5	55A	1		
		5	75A	1		
		6	50A	1		
		6	70A	1		
		7	65A	1		
		7	85A	1		
		8	55A	1		
		8	75A	1		
		9	55A	1		
		9	75A	1		
		10	55A	1		
		10	75A	1		
82-99-342-15		1	177	4		
		2	202	2		
		3	217	2		
		6	120	4		
		7	157	2		
		8	115	2		
		9	115	2		
		10	115	2		
		96-82		2	13	1
				5	20	1
97-82		8	20	1		
		9	20	1		
97-82		10	20	1		

25-63-11

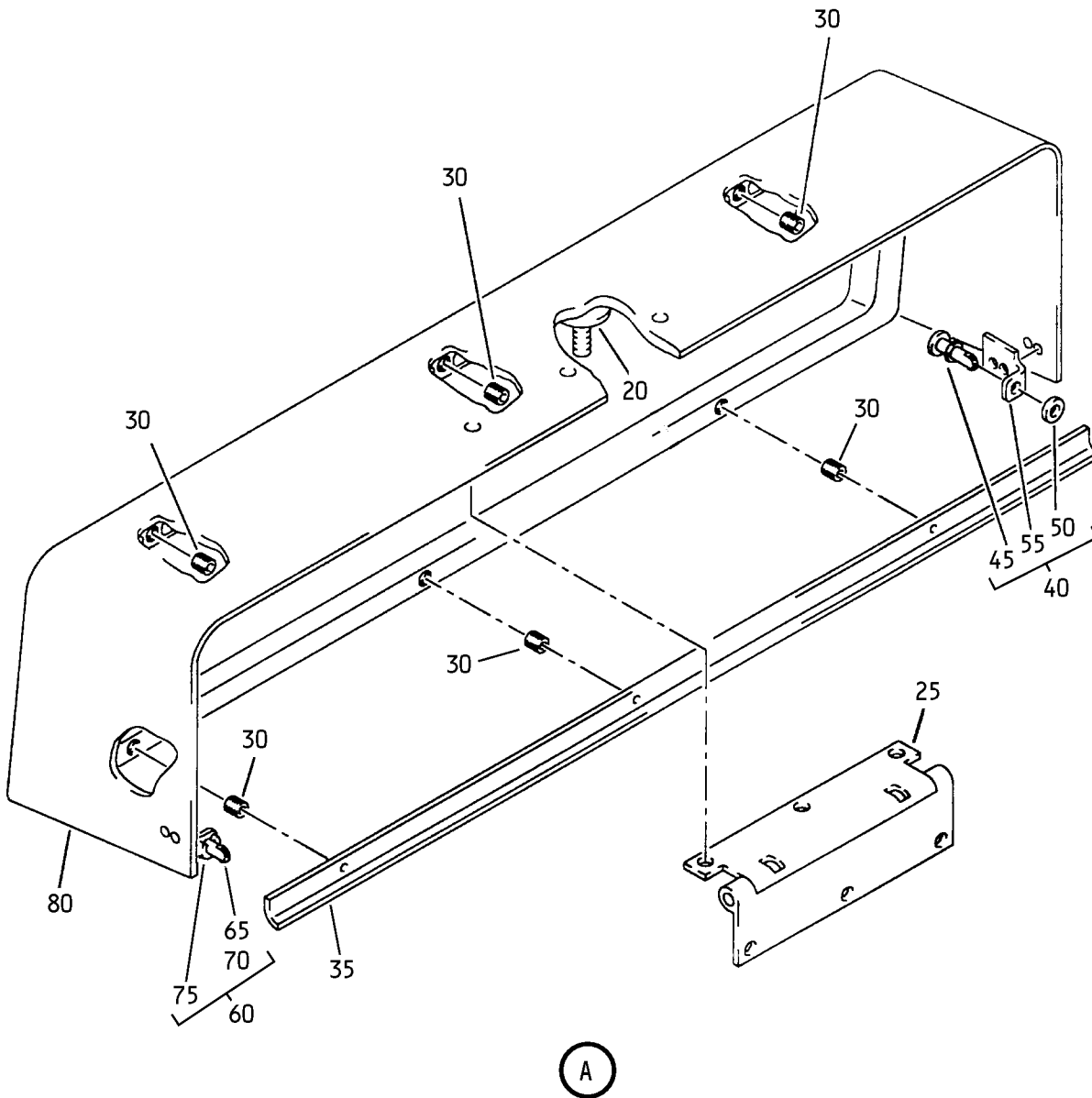
ILLUSTRATED PARTS LIST
01.1 Page 1022
Jul 01/03



Abbreviated Attendant's Panel
Figure 1 (Sheet 1)

25-63-11

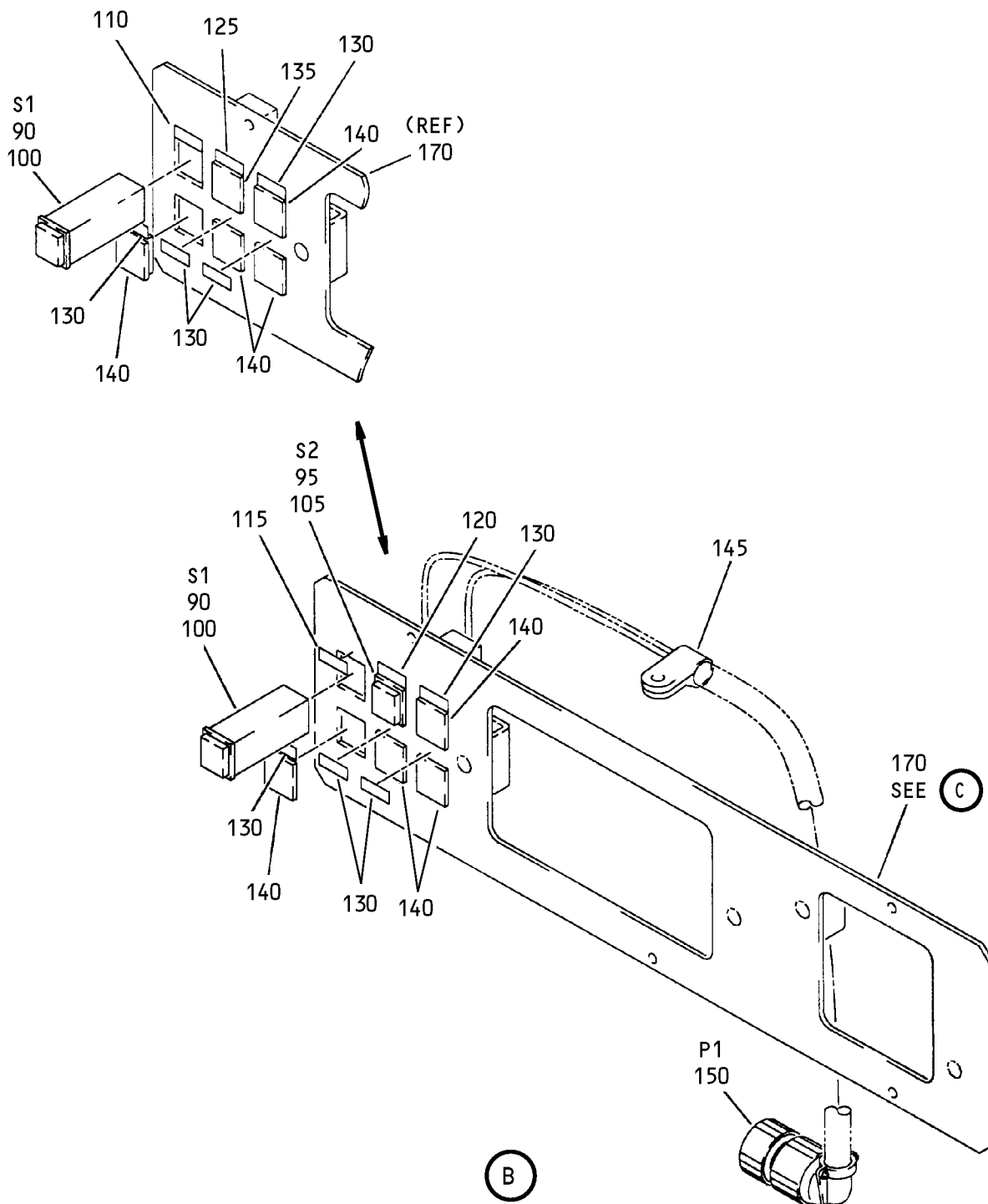
ILLUSTRATED PARTS LIST
01.1 Page 1023
Jul 01/03



Abbreviated Attendant's Panel
 Figure 1 (Sheet 2)

25-63-11

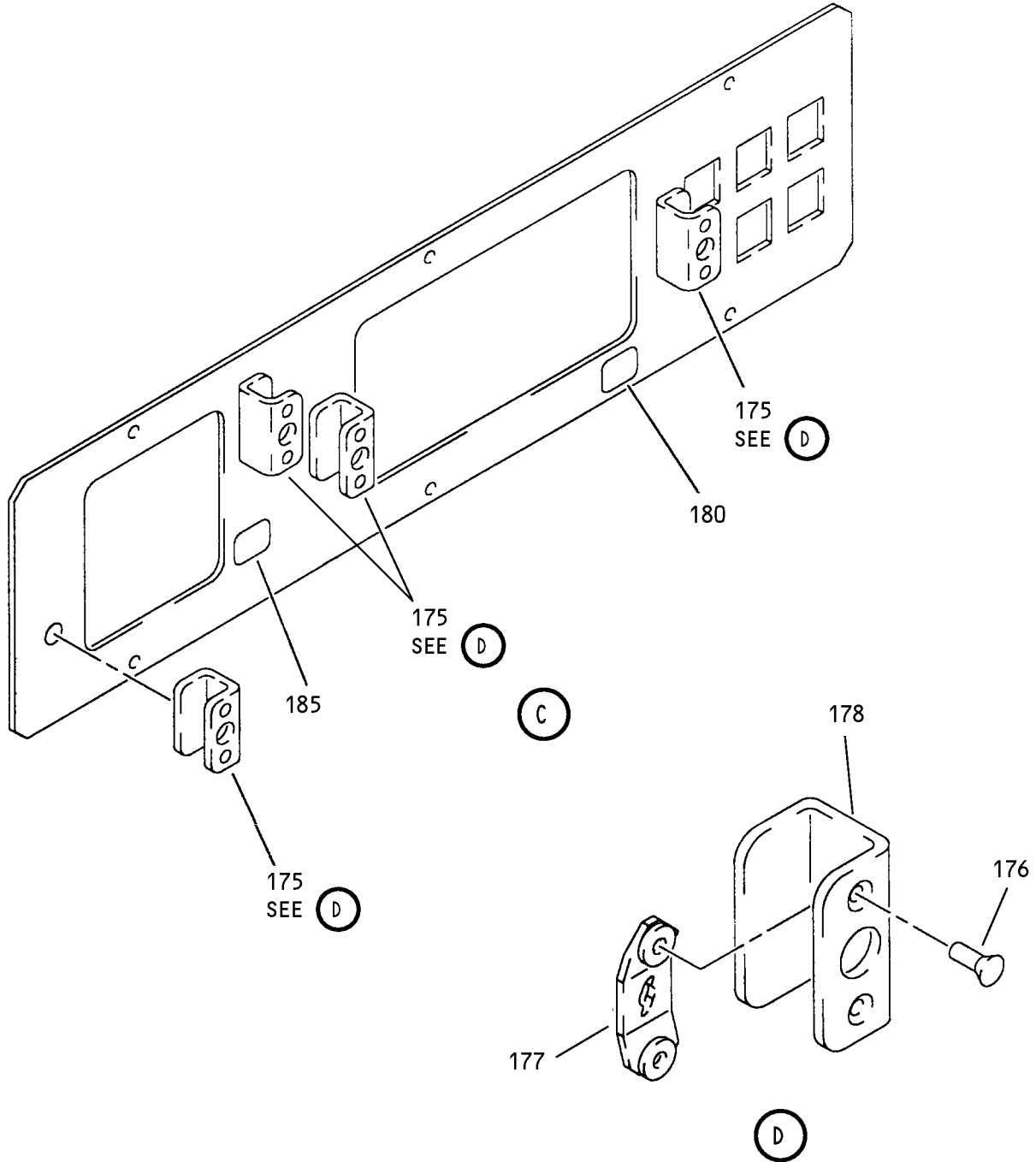
ILLUSTRATED PARTS LIST
 01.1 Page 1024
 Jul 01/03



Abbreviated Attendant's Panel
 Figure 1 (Sheet 3)

25-63-11

ILLUSTRATED PARTS LIST
 01.1 Page 1025
 Jul 01/03



Abbreviated Attendant's Panel
 Figure 1 (Sheet 4)

25-63-11

ILLUSTRATED PARTS LIST
 01.1 Page 1026
 Jul 01/03



BOEING
COMPONENT
MAINTENANCE MANUAL

FIG. & ITEM	PART NO.	AIRLINE PART NUMBER	NOMENCLATURE 1234567	EFF CODE	QTY PER ASSY
01- -1A	285T0659-1		PANEL ASSY-ABBREVIATED ATTENDANTS (P57)	A	RF
-1B	285T0659-2		PANEL ASSY-ABBREVIATED ATTENDANTS (P58) (FOR DETAILS SEE FIG. 2)	B	RF
-1C	285T0659-3		PANEL ASSY-ABBREVIATED ATTENDANTS (P59) (FOR DETAILS SEE FIG. 2)	C	RF
-1D	285T0659-7		PANEL ASSY-ABBREVIATED ATTENDANTS (P59) (FOR DETAILS SEE FIG. 2)	D	RF
-1E	285T0659-8		PANEL ASSY-ABBREVIATED ATTENDANTS (P57) (FOR DETAILS SEE FIG. 2)	E	RF
-1F	285T0659-9		PANEL ASSY-ABBREVIATED ATTENDANTS (P59) (FOR DETAILS SEE FIG. 2)	F	RF
-1G	285T0659-11		PANEL ASSY-ABBREVIATED ATTENDANTS (P58) (FOR DETAILS SEE FIG. 2)	G	RF
-1H	285T0659-12		PANEL ASSY-ABBREVIATED ATTENDANTS (P59) (FOR DETAILS SEE FIG. 2)	H	RF
-1J	285T0659-13		PANEL ASSY-ABBREVIATED ATTENDANTS (P59) (FOR DETAILS SEE FIG. 2)	J	RF
-1K	285T0659-14		PANEL ASSY-ABBREVIATED ATTENDANTS (P57)	K	RF
-1L	285T0659-15		PANEL ASSY-ABBREVIATED ATTENDANTS (P59) (FOR DETAILS SEE FIG. 2)	L	RF
-1M	285T0659-16		PANEL ASSY-ABBREVIATED ATTENDANTS (P57) (FOR DETAILS SEE FIG. 2)	M	RF
-1N	285T0659-17		PANEL ASSY-ABBREVIATED ATTENDANTS (P59) (FOR DETAILS SEE FIG. 2)	N	RF
-1P	285T0659-19		PANEL ASSY-ABBREVIATED ATTENDANTS (P57) (FOR DETAILS SEE FIG. 2)	P	RF
-1Q	285T0659-20		PANEL ASSY-ABBREVIATED ATTENDANTS (P57) (FOR DETAILS SEE FIG. 3)	Q	RF

25-63-11

ILLUSTRATED PARTS LIST
01.1 Page 1027
Jul 01/03



BOEING
COMPONENT
MAINTENANCE MANUAL

FIG. & ITEM	PART NO.	AIRLINE PART NUMBER	NOMENCLATURE 1234567	EFF CODE	QTY PER ASSY
01- -1R	285T0659-21		PANEL ASSY-ABBREVIATED ATTENDANTS (P81) (FOR DETAILS SEE FIG. 4)	R	RF
-1S	285T0659-22		PANEL ASSY-ABBREVIATED ATTENDANTS (P81) (FOR DETAILS SEE FIG. 5)	S	RF
-1T	285T0659-23		PANEL ASSY-ABBREVIATED ATTENDANTS (P57) (FOR DETAILS SEE FIG. 3)	T	RF
-1U	285T0659-25		PANEL ASSY-ABBREVIATED ATTENDANTS (P57) (FOR DETAILS SEE FIG. 3)	U	RF
-1V	285T0659-26		PANEL ASSY-ABBREVIATED ATTENDANTS (P59) (FOR DETAILS SEE FIG. 3)	V	RF
-1W	285T0659-27		PANEL ASSY-ABBREVIATED ATTENDANTS (P59) (FOR DETAILS SEE FIG. 3)	W	RF
-1X	285T0659-28		PANEL ASSY-ABBREVIATED ATTENDANTS (P59) (FOR DETAILS SEE FIG. 7)	X	RF
-1Y	285T0659-29		PANEL ASSY-ABBREVIATED ATTENDANTS (P57) (FOR DETAILS SEE FIG. 6)	Y	RF
-1Z	285T0659-30		PANEL ASSY-ABBREVIATED ATTENDANTS (P81) (FOR DETAILS SEE FIG. 4)	Z	RF
-2	285T0659-34		PANEL ASSY-ABBREVIATED ATTENDANTS (P59) (FOR DETAILS SEE FIG. 7)	AA	RF
R -2A	285T0659-32		PANEL ASSY-ABBREVIATED ATTENDANTS (P57) (FOR DETAILS SEE FIG. 7)	AB	RF
R -2B	285T0659-33		PANEL ASSY-ABBREVIATED ATTENDANTS (P58) (FOR DETAILS SEE FIG. 7)	AC	RF
R -2C	285T0659-35		PANEL ASSY-ABBREVIATED ATTENDANTS (FOR DETAILS SEE FIG. 2)	AD	RF
R -2D	285T0659-36		PANEL ASSY-ABBREVIATED ATTENDANTS (FOR DETAILS SEE FIG. 2)	AE	RF
R -2E	285T0659-38		PANEL ASSY-ABBREVIATED ATTENDANTS (FOR DETAILS SEE FIG. 8)	AF	RF

25-63-11

ILLUSTRATED PARTS LIST
01.1 Page 1028
Jul 01/03


BOEING
 COMPONENT
 MAINTENANCE MANUAL

FIG. & ITEM	PART NO.	AIRLINE PART NUMBER	NOMENCLATURE 1234567	EFF CODE	QTY PER ASSY
R 01- -2F	285T0659-39		PANEL ASSY-ABBREVIATED ATTENDANTS (FOR DETAILS SEE FIG. 8)	AG	RF
R -2G	285T0659-40		PANEL ASSY-ABBREVIATED ATTENDANTS (FOR DETAILS SEE FIG. 8)	AH	RF
R -2H	285T0659-41		PANEL ASSY-ABBREVIATED ATTENDANTS (FOR DETAILS SEE FIG. 8)	AJ	RF
R -2J	285T0659-42		PANEL ASSY-ABBREVIATED ATTENDANTS (FOR DETAILS SEE FIG. 8)	AK	RF
R -2K	285T0659-43		PANEL ASSY-ABBREVIATED ATTENDANTS (FOR DETAILS SEE FIG. 9)	AL	RF
R -2L	285T0659-44		PANEL ASSY-ABBREVIATED ATTENDANTS (FOR DETAILS SEE FIG. 10)	AM	RF
R -2M	285T0659-45		PANEL ASSY-ABBREVIATED ATTENDANTS (FOR DETAILS SEE FIG. 10)	AN	RF
R -2N	285T0659-46		PANEL ASSY-ABBREVIATED ATTENDANTS (FOR DETAILS SEE FIG. 10)	AP	RF
R -2P	285T0659-47		PANEL ASSY-ABBREVIATED ATTENDANTS (FOR DETAILS SEE FIG. 9)	AQ	RF
R -2Q	285T0659-48		PANEL ASSY-ABBREVIATED ATTENDANTS (FOR DETAILS SEE FIG. 10)	AR	RF
R -2R	285T0659-49		PANEL ASSY-ABBREVIATED ATTENDANTS (FOR DETAILS SEE FIG. 9)	AS	RF
5	BACS12CB08-4		.SCREW- (OPT ITEM 5A)	A,K	6
-5A	NAS1801-08-4		.SCREW- (OPT ITEM 5)	A,K	6
7	AN960PD8L		.WASHER	A,K	6
10	MS35333-38		.WASHER-LOCK	A,K	6
15	417T6507-4		.SHROUD ASSY	A,K	1

25-63-11

 ILLUSTRATED PARTS LIST
 01.1 Page 1029
 Jul 01/03



BOEING
COMPONENT
MAINTENANCE MANUAL

FIG. & ITEM	PART NO.	AIRLINE PART NUMBER	NOMENCLATURE 1234567	EFF CODE	QTY PER ASSY
01-20	SL6156-08		..STUD- (V97393)	A,K	1
25	417T6007-4		..HINGE	A,K	1
30	NAS1394-08		..INSERT- (OPT ITEMS 30A, 30B)	A,K	6
-30A	TNC2C0164		..INSERT- (V29372) (OPT ITEMS 30, 30B)	A,K	6
-30B	1185-2CN0164		..INSERT- (V01556) (OPT ITEMS 30, 30A)	A,K	6
35	417T6014-16		..STIFFENER	A,K	1
40	417T6005-4		..BRACKET ASSY-MTG	A,K	1
45	BACS21AP80R		...STUD- (OPT ITEM 45A)	A,K	1
-45A	82-99-341-08		...STUD- (V94222) (SPEC BACS21AP80RP) (OPT ITEM 45)	A,K	1
50	BACR12AG2C		...RING- (V94222) (SPEC BACR12AG2C)	A,K	1
55	417T6014-6		...BRACKET	A,K	1
60	417T6005-2		..BRACKET ASSY-MTG	A,K	1
65	BACS21AP80R		...STUD- (OPT ITEM 65A)	A,K	1
-65A	82-99-341-08		...STUD- (V94222) (SPEC BACS21AP80RP) (OPT ITEM 65)	A,K	1

25-63-11

ILLUSTRATED PARTS LIST
01.1 Page 1030
Jul 01/03



BOEING
COMPONENT
MAINTENANCE MANUAL

FIG. & ITEM	PART NO.	AIRLINE PART NUMBER	NOMENCLATURE 1234567	EFF CODE	QTY PER ASSY
01-70	BACR12AG2C		...RING- (V94222) (SPEC BACR12AG2C)	A,K	1
75	417T6014-3		...BRACKET	A,K	1
80	417T6507-5		..SHROUD	A,K	1
85	417T6508-5		.WIRING ASSY-FACEPLATE	A	1
-85A	417T6508-21		.WIRING ASSY-FACEPLATE	K	1
90	2100-3		..SWITCH-PUSHBUTTON, 2 POLE, ALT (V91929) (S1)	A,K	1
95	2100-3		..SWITCH-PUSHBUTTON, 2 POLE, ALT (V91929) (S2)	K	1
100	2100-100		..LENS-WHITE, NO LEGEND (V91929)	A,K	1
105	2100-100		..LENS-WHITE, NO LEGEND (V91929)	K	1
110	417T6012-19		..DECAL-SLIP IN, ATTND C	A	1
115	417T6012-9		..DECAL-SLIP IN, ATTND R	K	1
120	417T6012-7		..DECAL-SLIP IN, ATTND L	K	1
125	417T6012-3		..DECAL-SLIP IN, NO LEGEND	A	1
130	417T6012-3		..DECAL-SLIP IN, NO LEGEND	A,K	4
135	AML78CB001		..PLUG-SQUARE (V91929)	A	1
140	AML78CB001		..PLUG-SQUARE (V91929)	A,K	4
145	BACC10DK		..CLAMP- (SIZE DETERMINE ON INST)	A,K	1
150	BACC45FT16B24P		..CONNECTOR- (P1)	A	1

25-63-11

ILLUSTRATED PARTS LIST
01.1 Page 1031
Jul 01/03



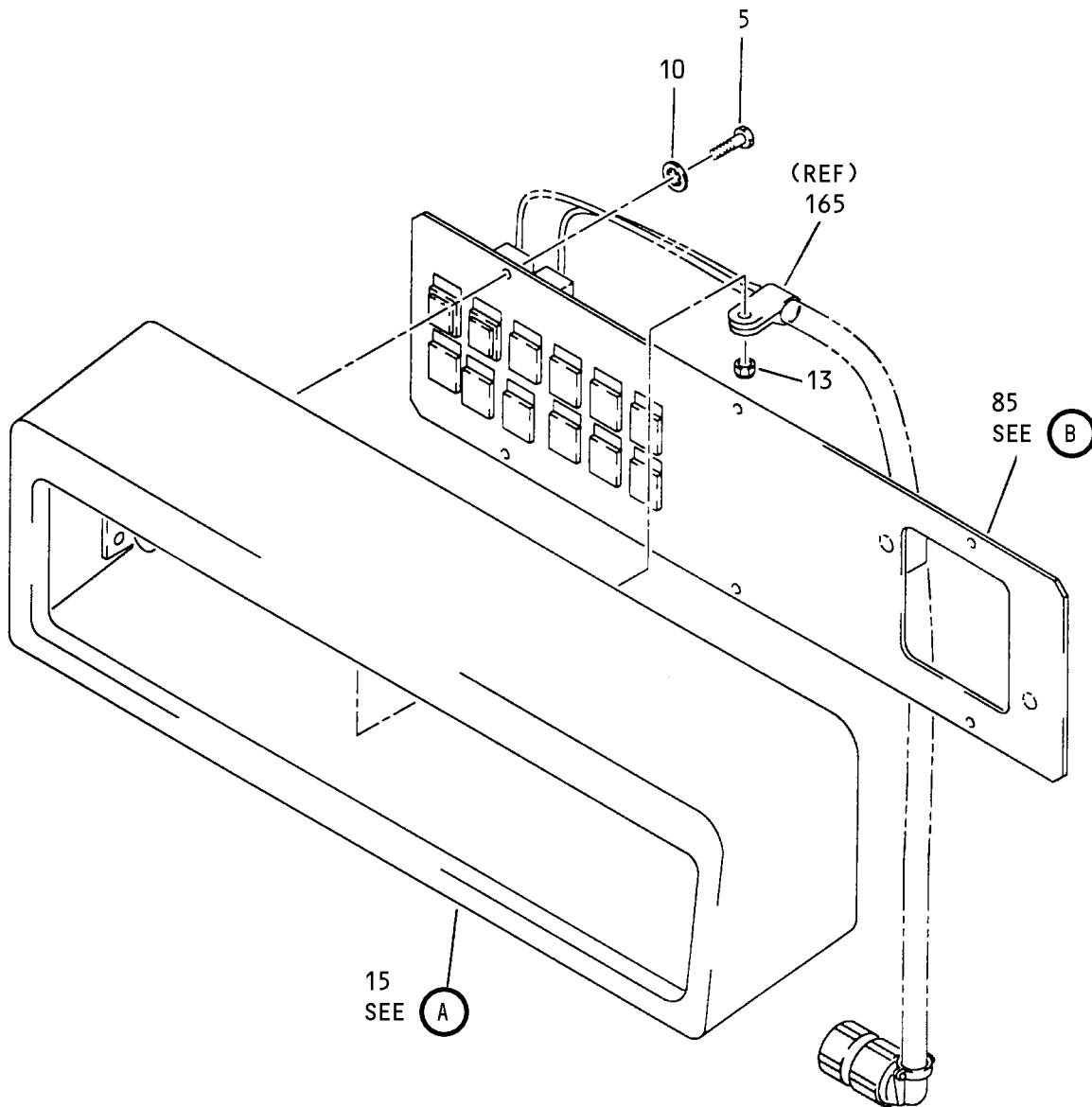
BOEING
COMPONENT
MAINTENANCE MANUAL

FIG. & ITEM	PART NO.	AIRLINE PART NUMBER	NOMENCLATURE 1234567	EFF CODE	QTY PER ASSY
01- -150A	BACC45FT10B5P		..CONNECTOR- (P1)	K	1
-155	60729-1		..TERMINAL-POKE ON (V00779) (OPT ITEM 155A)	A,K	AR
-155A	61048-1		..TERMINAL-POKE ON (V00779) (OPT ITEM 155)	A,K	AR
-160	640929-1		..TERMINAL-POKE ON (V00779)	A,K	AR
-165	48-100-5014P02		..PIN-CONTACT (V04814)	K	4
170	417T6509-5		..FACEPLATE ASSY	A,K	1
175	417T6017-2		...BRACKET ASSY-MTG	A,K	4
176	BACR15BA3	RIVET- (SIZE DETERMINE ON INST)	A,K	8
177	82-99-342-15	RECEPTACLE- (V94222) (SPEC BACR11AM2) (OPT 2-295 (V94222))	A,K	4
178	417T6017-3	BRACKET	A,K	4
180	BAC27TPPS0131		..MARKER-ALUMINUM FOIL, M1077 PRE. REC. ANNCMNT.	A,K	1
185	BAC27TPPS4099		..MARKER-ALUMINUM FOIL, M881 EM. EVAC	A,K	1

- Item Not Illustrated

25-63-11

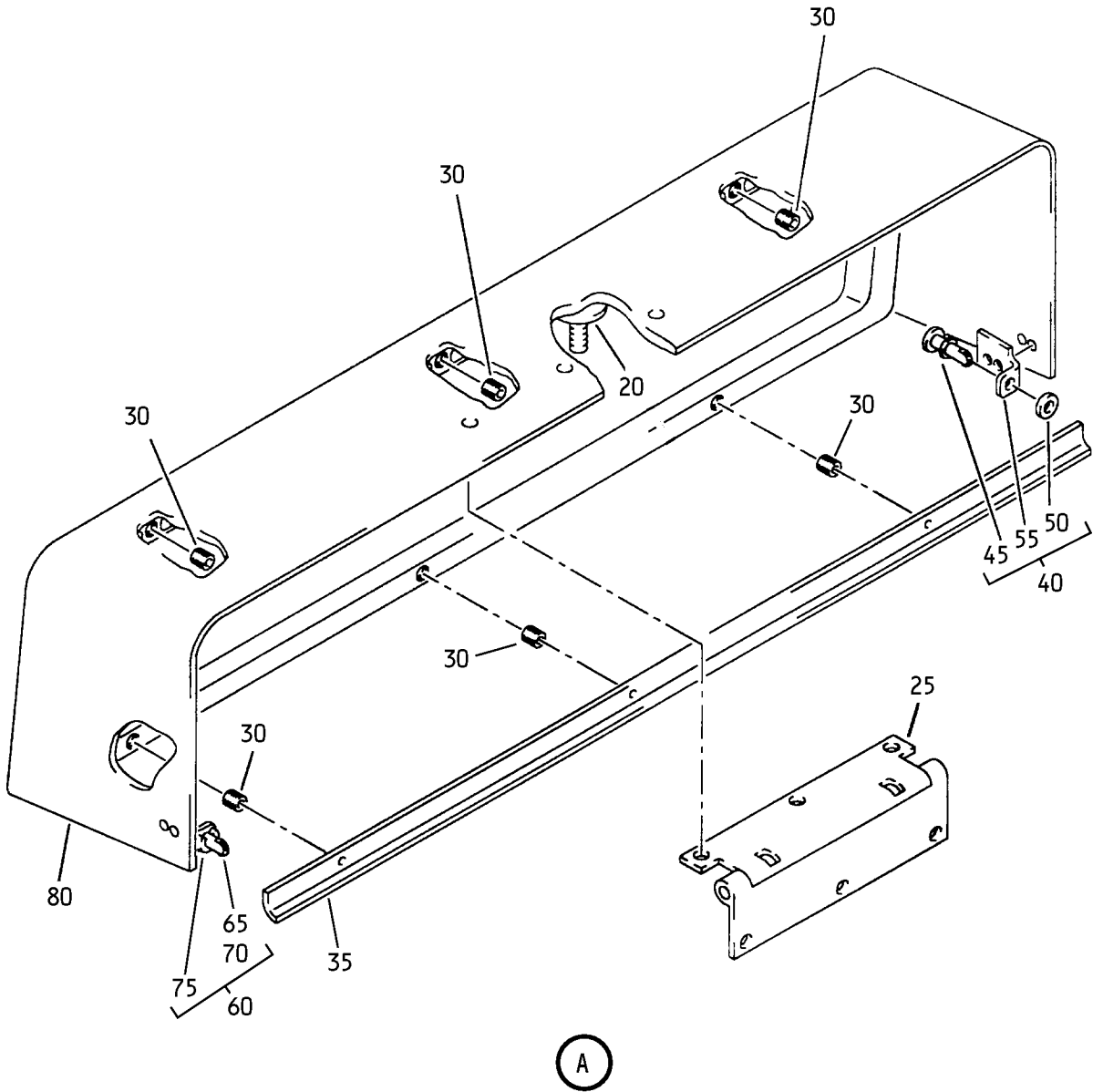
ILLUSTRATED PARTS LIST
01.1 Page 1032
Jul 01/03



Abbreviated Attendant's Panel
Figure 2 (Sheet 1)

25-63-11

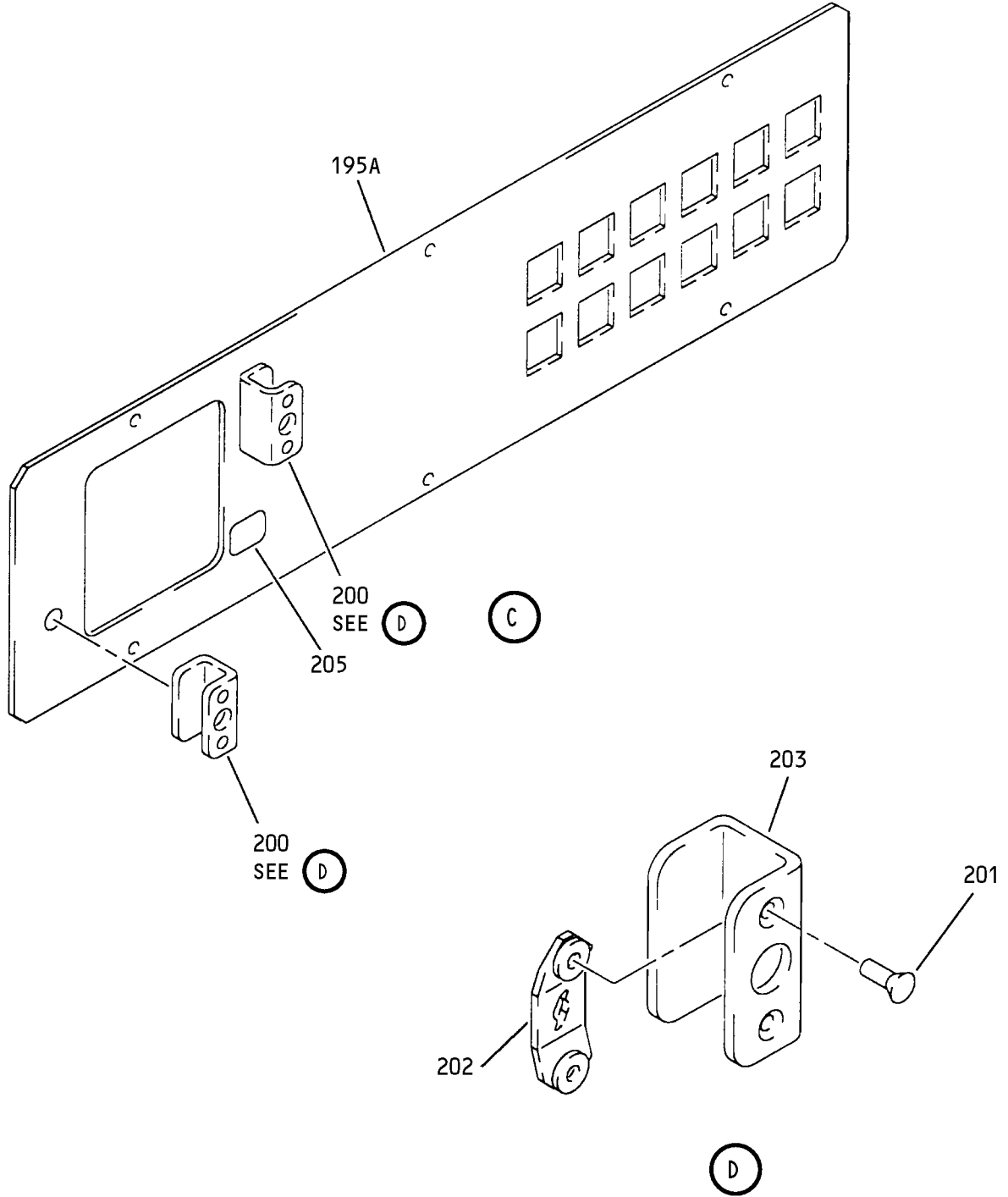
ILLUSTRATED PARTS LIST
01.1 Page 1033
Jul 01/03



Abbreviated Attendant's Panel
 Figure 2 (Sheet 2)

25-63-11

ILLUSTRATED PARTS LIST
 01.1 Page 1034
 Jul 01/03



Abbreviated Attendant's Panel
 Figure 2 (Sheet 4)

25-63-11

ILLUSTRATED PARTS LIST
 01.1 Page 1036
 Jul 01/03



BOEING
COMPONENT
MAINTENANCE MANUAL

FIG. & ITEM	PART NO.	AIRLINE PART NUMBER	NOMENCLATURE 1234567	EFF CODE	QTY PER ASSY
02- -1A	285T0659-2		PANEL ASSY-ABBREVIATED ATTENDANTS (P58)	B	RF
-1B	285T0659-3		PANEL ASSY-ABBREVIATED ATTENDANTS (P59)	C	RF
-1C	285T0659-7		PANEL ASSY-ABBREVIATED ATTENDANTS (P59)	D	RF
-1D	285T0659-8		PANEL ASSY-ABBREVIATED ATTENDANTS (P57)	E	RF
-1E	285T0659-9		PANEL ASSY-ABBREVIATED ATTENDANTS (P59)	F	RF
-1F	285T0659-11		PANEL ASSY-ABBREVIATED ATTENDANTS (P58)	G	RF
-1G	285T0659-12		PANEL ASSY-ABBREVIATED ATTENDANTS (P59)	H	RF
-1H	285T0659-13		PANEL ASSY-ABBREVIATED ATTENDANTS (P59)	J	RF
-1J	285T0659-15		PANEL ASSY-ABBREVIATED ATTENDANTS (P59)	L	RF
-1K	285T0659-16		PANEL ASSY-ABBREVIATED ATTENDANTS (P57)	M	RF
-1L	285T0659-17		PANEL ASSY-ABBREVIATED ATTENDANTS (P59)	N	RF
-1M	285T0659-19		PANEL ASSY-ABBREVIATED ATTENDANTS (P57)	P	RF
R -1N	285T0659-35		PANEL ASSY-ABBREVIATED ATTENDANTS	AD	RF
R -1P	285T0659-36		PANEL ASSY-ABBREVIATED ATTENDANTS	AE	RF
5	NAS1801-08-4		.SCREW- (OPT ITEM 5A)	B-J,L ,P,AD ,AE	6
-5A	BACS12CB08-4		.SCREW- (OPT ITEM 5)	B-J,L ,P,AD ,AE	6
-5B	NAS1801-08-4		.SCREW	M,N	6
10	MS35333-38		.WASHER-LOCK	B-J, L-P,A D,AE	6

25-63-11

ILLUSTRATED PARTS LIST
01.1 Page 1037
Jul 01/03



BOEING
COMPONENT
MAINTENANCE MANUAL

FIG. & ITEM	PART NO.	AIRLINE PART NUMBER	NOMENCLATURE 1234567	EFF CODE	QTY PER ASSY
02-13	H10-08BAC		.NUT (V15653) (SPEC BACN10JC08) (OPT NS202101-82 (V80539)) (OPT RMLH9075-82W (V72962)) (OPT VN303A82 (V92215)) (OPT 96-82 (V80539)) (OPT BRH10A08 (V52828)) (OPT T6S832J (V11815))	B-J, L-P,A D,AE	1
15	417T6507-4		.SHROUD ASSY	B-J, L-P	1
R -15A	417T6507-8		.SHROUD ASSY	AD,AE	1
20	SL6156-08		..STUD- (V97393)	B-J, L-P,A D,AE	1
25	417T6007-4		..HINGE	B-J, L-P,A D,AE	1
30	NAS1394-08		..INSERT- (OPT ITEMS 30A, 30B)	B-J, L-P	6
-30A	TNC2C0164		..INSERT- (V29372) (OPT ITEMS 30, 30B)	B-J, L-P	6
-30B	1185-2CN0164		..INSERT- (V01556) (OPT ITEMS 30, 30A)	B-J, L-P	6
R -30C	NAS1394-08		..INSERT	AD,AE	6
35	417T6014-16		..STIFFENER	B-J, L-P,A D,AE	1
40	417T6005-4		..BRACKET ASSY-MTG	B-J, L-P,A D,AE	1
45	BACS21AP80R		...STUD- (OPT ITEM 45A)	B-J, L-P,A D,AE	1

25-63-11

ILLUSTRATED PARTS LIST
01.1 Page 1038
Jul 01/03



BOEING
COMPONENT
MAINTENANCE MANUAL

FIG. & ITEM	PART NO.	AIRLINE PART NUMBER	NOMENCLATURE 1234567	EFF CODE	QTY PER ASSY
02- -45A	82-99-341-08		...STUD- (V94222) (SPEC BACS21AP80RP) (OPT ITEM 45)	B-J, L-P,A D,AE	1
50	BACR12AG2C		...RING- (V94222) (SPEC BACR12AG2C)	B-J, L-P,A D,AE	1
55	417T6014-6		...BRACKET	B-J, L-P,A D,AE	1
60	417T6005-2		..BRACKET ASSY-MTG	B-J, L-P,A D,AE	1
65	BACS21AP80R		...STUD- (OPT ITEM 65A)	B-J, L-P,A D,AE	1
-65A	82-99-341-08		...STUD- (V94222) (SPEC BACS21AP80RP) (OPT ITEM 65)	B-J, L-P,A D,AE	1
70	BACR12AG2C		...RING- (V94222) (SPEC BACR12AG2C)	B-J, L-P,A D,AE	1
75	417T6014-3		...BRACKET	B-J, L-P,A D,AE	1
80	417T6507-5		..SHROUD	B-J, L-P	1
R -80A	417T6507-9		..SHROUD	AD,AE	1
85	417T6508-2		.WIRING ASSY-FACEPLATE	B	1
-85A	417T6508-1		.WIRING ASSY-FACEPLATE	C	1

25-63-11

ILLUSTRATED PARTS LIST
01.1 Page 1039
Jul 01/03


BOEING
 COMPONENT
 MAINTENANCE MANUAL

FIG. & ITEM	PART NO.	AIRLINE PART NUMBER	NOMENCLATURE 1234567	EFF CODE	QTY PER ASSY
02-					
-85B	417T6508-14		.WIRING ASSY-FACEPLATE	D	1
-85C	417T6508-15		.WIRING ASSY-FACEPLATE	E,AD	1
-85D	417T6508-16		.WIRING ASSY-FACEPLATE	F,AE	1
-85E	417T6508-18		.WIRING ASSY-FACEPLATE	G	1
-85F	417T6508-19		.WIRING ASSY-FACEPLATE	H	1
-85G	417T6508-20		.WIRING ASSY-FACEPLATE	J	1
-85H	417T6508-22		.WIRING ASSY-FACEPLATE	L	1
-85J	417T6508-23		.WIRING ASSY-FACEPLATE	M	1
-85K	417T6508-24		.WIRING ASSY-FACEPLATE	N	1
-85L	417T6508-26		.WIRING ASSY-FACEPLATE	P	1
90	2100-3		..SWITCH-PUSHBUTTON, 2 POLE, ALT (V91929) (S1)	B-J, L-P,A D,AE	1
95	2100-3		..SWITCH-PUSHBUTTON, 2 POLE, ALT (V91929) (S2)	B,G,H ,L,M, N	1
100	2100-100		..LENS-WHITE, NO LEGEND (V91929)	B-J, L-P,A D,AE	1
105	2100-100		..LENS-WHITE, NO LEGEND (V91929)	B,G,H ,L-N	1
110	417T6012-7		..DECAL-SLIP IN, ATTND L	B,C,G ,M,AE	1
115	417T6012-9		..DECAL-SLIP IN, ATTND R	D,J,L	1
120	417T6012-19		..DECAL-SLIP IN, ATTND C	E,P,A D	1
125	417T6012-45		..DECAL-SLIP IN, ATTND L1	H	1
127	417T6012-47		..DECAL-SLIP IN, ATTND L2	N	1
130	417T6012-9		..DECAL-SLIP IN, ATTND R	B,G,M	1

25-63-11

 ILLUSTRATED PARTS LIST
 01.1 Page 1040
 Jul 01/03


BOEING
 COMPONENT
 MAINTENANCE MANUAL

FIG. & ITEM	PART NO.	AIRLINE PART NUMBER	NOMENCLATURE 1234567	EFF CODE	QTY PER ASSY
02-					
132	417T6012-45		..DECAL-SLIP IN, ATTND L1	N	1
135	417T6012-47		..DECAL-SLIP IN, ATTND L2	H	1
137	417T6012-7		..DECAL-SLIP IN, ATTND L	L	1
140	417T6012-19		..DECAL-SLIP IN, ATTND C	L	1
145	417T6012-3		..DECAL-SLIP IN, NO LEGEND	C-F, J ,P,AD ,AE	1
150	417T6012-3		..DECAL-SLIP IN, NO LEGEND	B-J, L-P, A D,AE	10
155	AML78CB001		..PLUG-SQUARE (V91929)	B-J, L-P, A D,AE	10
160	AML78CB001		..PLUG-SQUARE (V91929)	C-F, J ,P,AD ,AE	1
165	BACC10DK		..CLAMP- (SIZE DETERMINE ON INST)	B-J, L-P, A D,AE	1
170	N2088		..PLUG- (V75345) (SPEC BACP20BA1) (OPT SZ7105 (V95272)) (OPT 4841 (V84914))	B-J, L-P, A D,AE	1
175	BACC45FT16B24P		..CONNECTOR- (P1)	B-D	1
-175A	BACC45FT10B5P		..CONNECTOR- (P1)	E-J, L-N, A D,AE	1
-175B	BACC45FT10B5P6		..CONNECTOR- (P1)	P	1
-180	60729-1		..TERMINAL-POKE ON (V00779) (OPT ITEM 180A)	B-J, L-P, A D,AE	AR
-180A	61048-1		..TERMINAL-POKE ON (V00779) (OPT ITEM 180)	B-J, L-P, A D,AE	AR
-185	640929-1		..TERMINAL-POKE ON (V00779)	B-J, L-P, A D,AE	AR
-190	48-100-5014P02		..PIN-CONTACT (V04814)	L-N	4

25-63-11

 ILLUSTRATED PARTS LIST
 01.1 Page 1041
 Jul 01/03



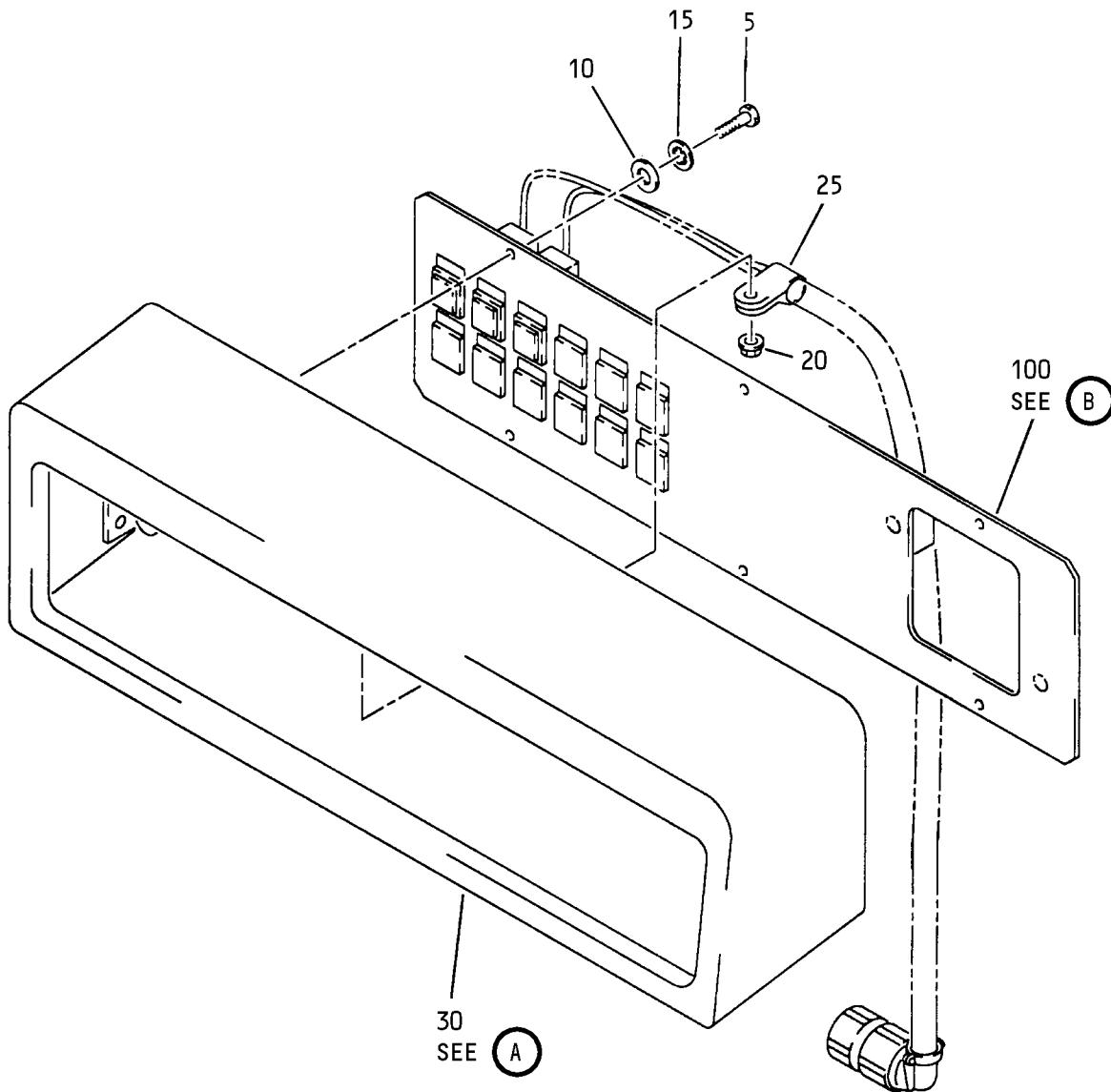
BOEING
COMPONENT
MAINTENANCE MANUAL

FIG. & ITEM	PART NO.	AIRLINE PART NUMBER	NOMENCLATURE 1234567	EFF CODE	QTY PER ASSY
02-195A	417T6509-1		..FACEPLATE ASSY	B-J, L-P,A D,AE	1
200	417T6017-2		...BRACKET ASSY-MTG	B-J, L-P,A D,AE	2
201	BACR15BA3	RIVET- (SIZE DETERMINE ON INST)	B-J, L-P,A D,AE	2
202	82-99-342-15	RECEPTACLE- (V94222) (SPEC BACR11AM2) (OPT 2-295 (V94222))	B-J, L-P,A D,AE	1
203	417T6017-3	BRACKET	B-J, L-P,A D,AE	1
205	BAC27TPPS4101		..MARKER-ALUMINUM FOIL, M883 EM. EVAC	B,G	1
-205A	BAC27TPPS4102		..MARKER-ALUMINUM FOIL, M884 EM. EVAC	C,D,F H,J, L,N,A E	1
-205B	BAC27TPPS4099		..MARKER-ALUMINUM FOIL, M881 EM. EVAC	E,M,P AD	1

- Item Not Illustrated

25-63-11

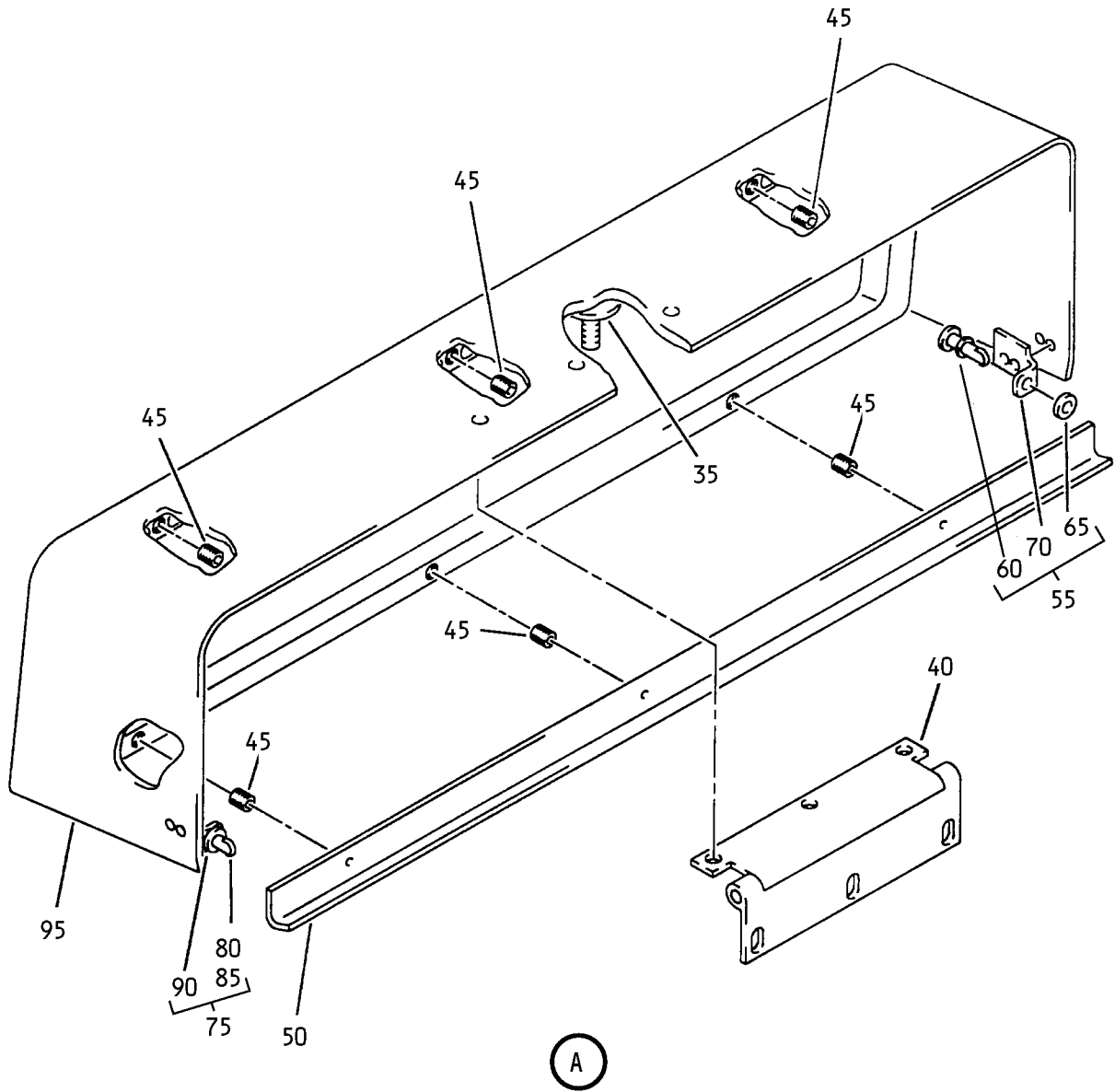
ILLUSTRATED PARTS LIST
01.1 Page 1042
Jul 01/03



Abbreviated Attendant's Panel
Figure 3 (Sheet 1)

25-63-11

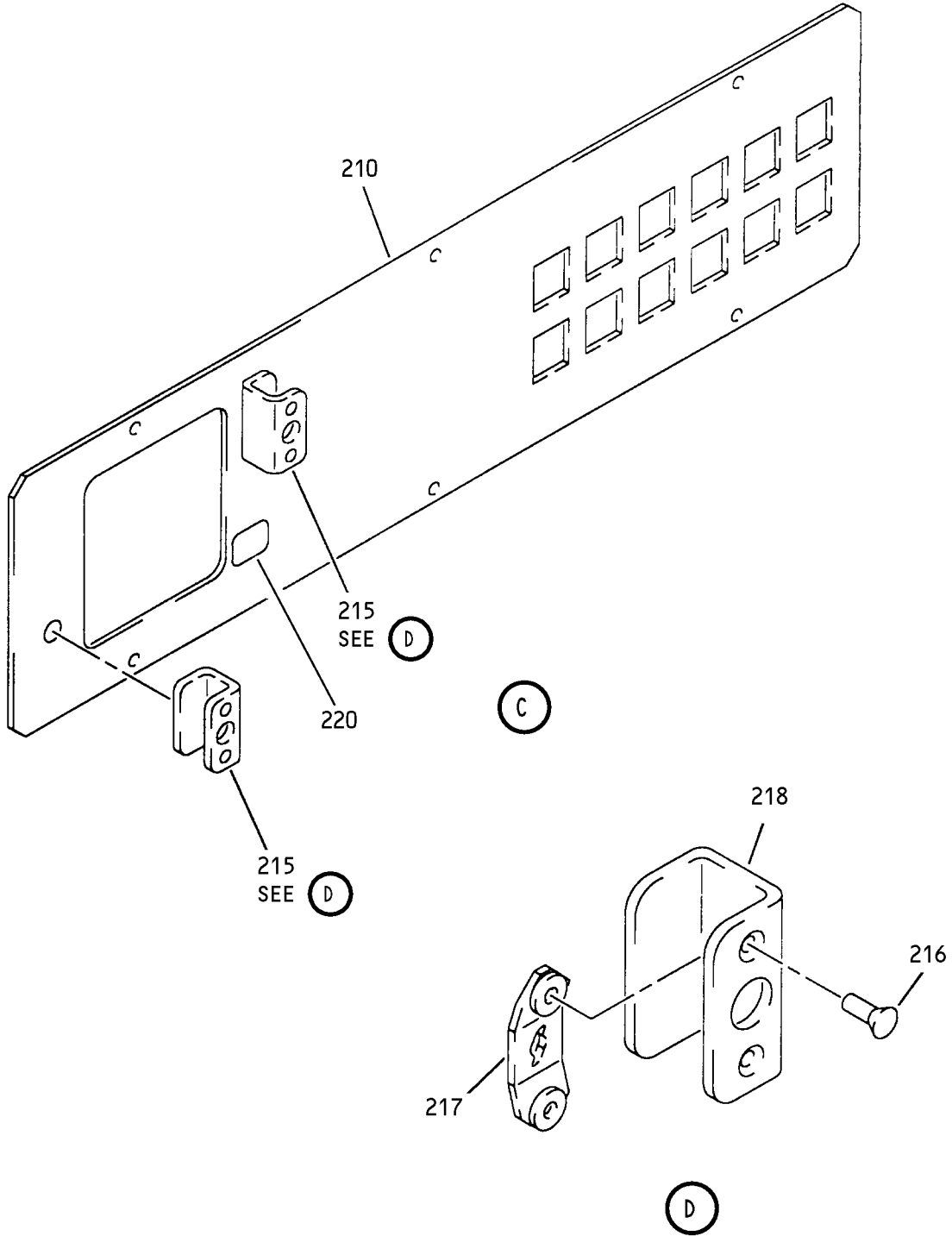
ILLUSTRATED PARTS LIST
01.1 Page 1043
Jul 01/03



Abbreviated Attendant's Panel
Figure 3 (Sheet 2)

25-63-11

ILLUSTRATED PARTS LIST
01.1 Page 1044
Jul 01/03



Abbreviated Attendant's Panel
 Figure 3 (Sheet 4)

25-63-11

ILLUSTRATED PARTS LIST
 01.1 Page 1046
 Jul 01/03


BOEING
 COMPONENT
 MAINTENANCE MANUAL

FIG. & ITEM	PART NO.	AIRLINE PART NUMBER	NOMENCLATURE 1234567	EFF CODE	QTY PER ASSY
03-					
-1A	285T0659-20		PANEL ASSY-ABBREVIATED ATTENDANTS (P57)	Q	RF
-1B	285T0659-23		PANEL ASSY-ABBREVIATED ATTENDANTS (P57)	T	RF
-1C	285T0659-25		PANEL ASSY-ABBREVIATED ATTENDANTS (P57)	U	RF
-1D	285T0659-26		PANEL ASSY-ABBREVIATED ATTENDANTS (P59)	V	RF
-1E	285T0659-27		PANEL ASSY-ABBREVIATED ATTENDANTS (P59)	W	RF
5	NAS1801-08-4		.SCREW	Q,T-W	6
10	AN960PD8L		.WASHER	Q,T-W	6
15	MS35333-38		.WASHER-LOCK	Q,T-W	6
20	MS21042L08		.NUT	Q,T-W	1
25	BACC10DK		.CLAMP-CABLE (SIZE DETERMINE ON INST)	Q,T-W	1
30	417T6507-4		.SHROUD ASSY	Q,T-W	1
35	SL6156-08		..STUD- (V97393)	Q,T-W	1
40	417T6007-4		..HINGE	Q,T-W	1
45	NAS1394-08		..INSERT- (OPT ITEMS 45A, 45B)	Q,T-W	6
-45A	TNC2C0164		..INSERT- (V29372)	Q,T-W	6
-45B	1185-2CN0164		..INSERT- (OPT ITEMS 45, 45B) (V01556)	Q,T-W	6
50	417T6014-16		..STIFFENER	Q,T-W	1
55	417T6005-4		..BRACKET ASSY-MTG	Q,T-W	1
60	BACS21AP80R		...STUD-PANEL FASTENER (OPT ITEM 60A)	Q,T-W	1
-60A	82-99-341-08		...STUD-PANEL FASTENER (V94222) (SPEC BACS21AP80RP) (OPT ITEM 60)	Q,T-W	1

25-63-11

 ILLUSTRATED PARTS LIST
 01.1 Page 1047
 Jul 01/03



BOEING
COMPONENT
MAINTENANCE MANUAL

FIG. & ITEM	PART NO.	AIRLINE PART NUMBER	NOMENCLATURE 1234567	EFF CODE	QTY PER ASSY
03-65	BACR12AG2C		...RING-RETAINING (V94222) (SPEC BACR12AG2C)	Q,T-W	1
70	417T6014-6		...BRACKET	Q,T-W	1
75	417T6005-2		..BRACKET ASSY-MTG	Q,T-W	1
80	BACS21AP80R		...STUD-PANEL FASTENER (OPT ITEM 80A)	Q,T-W	1
-80A	82-99-341-08		...STUD-PANEL FASTENER (V94222) (SPEC BACS21AP80RP) (OPT ITEM 80)	Q,T-W	1
85	BACR12AG2C		...RING-RETAINING (V94222) (SPEC BACR12AG2C)	Q,T-W	1
90	417T6014-3		...BRACKET	Q,T-W	1
95	417T6507-5		..SHROUD	Q,T-W	1
100	285T0691-1		.WIRING ASSY-FACEPLATE	Q	1
-100A	285T0691-3		.WIRING ASSY-FACEPLATE	T	1
-100B	285T0691-5		.WIRING ASSY-FACEPLATE	U	1
-100C	285T0691-6		.WIRING ASSY-FACEPLATE	V	1
-100D	285T0691-7		.WIRING ASSY-FACEPLATE	W	1
105	2100-3		..SWITCH-PUSHBUTTON, 2 POLE, ALT (V91929) (S1)	Q,T-W	1
110	2100-3		..SWITCH-PUSHBUTTON, 2 POLE, ALT (V91929) (S2)	Q,U,V	1
115	2100-3		..SWITCH-PUSHBUTTON, 2 POLE, ALT (V91929) (S3)	Q	1

25-63-11

ILLUSTRATED PARTS LIST
01.1 Page 1048
Jul 01/03



BOEING
COMPONENT
MAINTENANCE MANUAL

FIG. & ITEM	PART NO.	AIRLINE PART NUMBER	NOMENCLATURE 1234567	EFF CODE	QTY PER ASSY
03-120	2100-100		..LENS-WHITE, NO LEGEND (V91929)	Q,T-W	1
125	2100-100		..LENS-WHITE, NO LEGEND (V91929)	Q,U,V	1
130	2100-100		..LENS-WHITE, NO LEGEND (V91929)	Q	1
135	417T6012-7		..DECAL-SLIP IN, ATTND-L	Q,T,W	1
140	417T6012-9		..DECAL-SLIP IN, ATTND-R	U	1
145	417T6012-19		..DECAL-SLIP IN, ATTND-C	V	1
150	417T6012-19		..DECAL-SLIP IN, ATTND-C	Q	1
155	417T6012-7		..DECAL-SLIP IN, ATTND-L	U,V	1
160	417T6012-9		..DECAL-SLIP IN, ATTND-R	Q	1
165	AML78CB001		..PLUG-SQUARE (V91929)	Q,T-W	9
170	AML78CB001		..PLUG-SQUARE (V91929)	T-W	1
175	AML78CB001		..PLUG-SQUARE (V91929)	T,W	1
180	417T6012-3		..DECAL-SLIP IN, NO LEGEND	Q,T-W	9
185	417T6012-3		..DECAL-SLIP IN, NO LEGEND	T-W	1
190	417T6012-3		..DECAL-SLIP IN, NO LEGEND	T,W	1
195	BACC45FT10B5P		..CONNECTOR-(P1)	Q,T-W	1
-200	60729-1		..TERMINAL-POKE ON (V00779) (OPT ITEM 200A)	Q,T-W	AR
-200A	61048-1		..TERMINAL-POKE ON (V00779) (OPT ITEM 200)	Q,T-W	AR
-205	640929-1		..TERMINAL-POKE ON (V00779)	Q,T-W	AR
210	417T6509-1		..FACEPLATE ASSY	Q,T-W	1
215	417T6017-2		...BRACKET ASSY-MTG	Q,T-W	2
216	BACR15BA3	RIVET- (SIZE DETERMINE ON INST)	Q,T-W	2
217	82-99-342-15	RECEPTACLE- (V94222) (SPEC BACR11AM2) (OPT 2-295 (V94222))	Q,T-W	1

25-63-11

ILLUSTRATED PARTS LIST
01.1 Page 1049
Jul 01/03



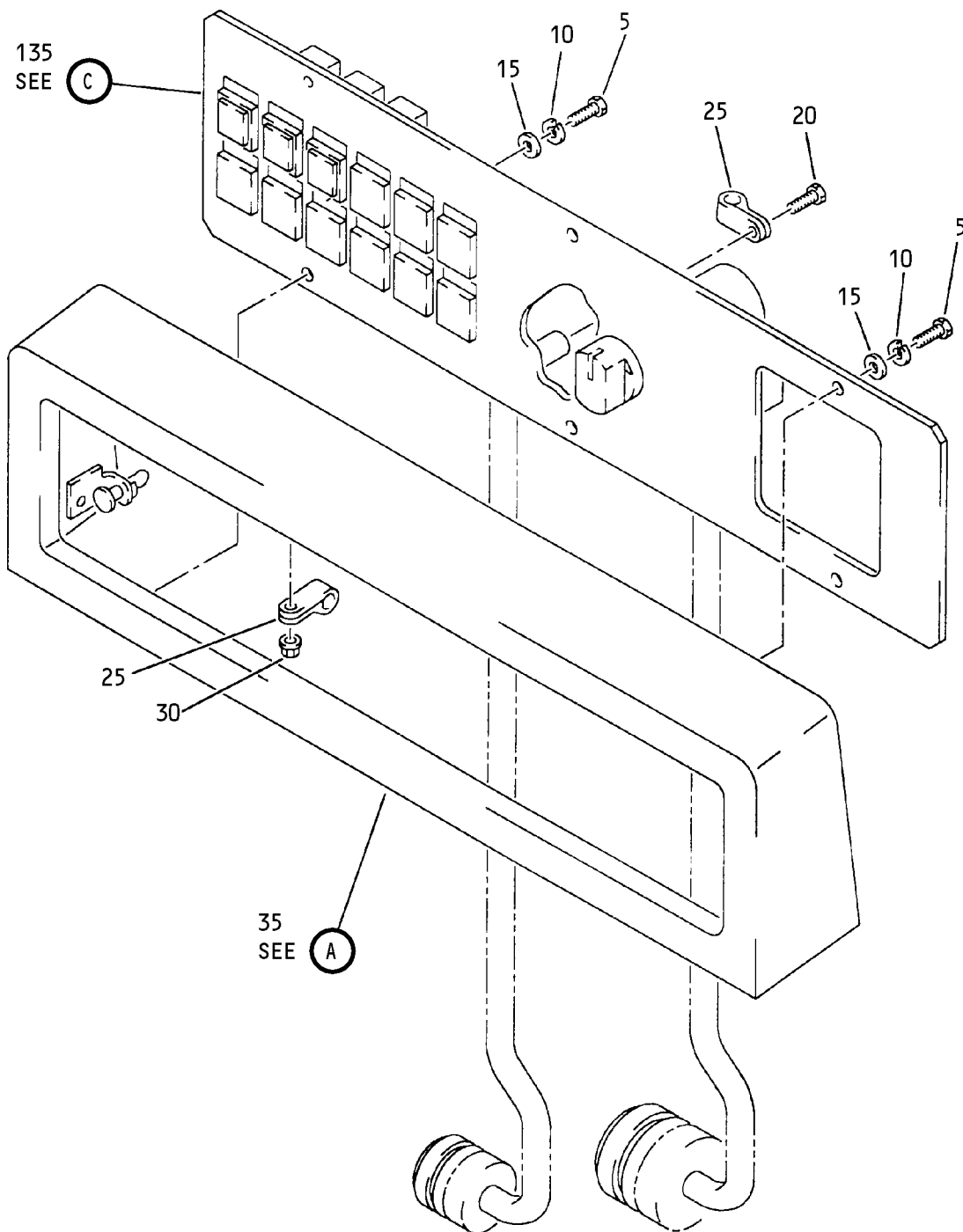
BOEING
 COMPONENT
 MAINTENANCE MANUAL

FIG. & ITEM	PART NO.	AIRLINE PART NUMBER	NOMENCLATURE 1234567	EFF CODE	QTY PER ASSY
03-218	417T6017-3	BRACKET-MTG	Q,T-W	1
220	BAC27TPPS4099		..MARKER-ALUMINUM FOIL, M881 EM. EVAC	Q,U	1
-220A	BAC27TPPS4102		..MARKER-ALUMINUM FOIL, M884 EM. EVAC	T,V,W	1

- Item Not Illustrated

25-63-11

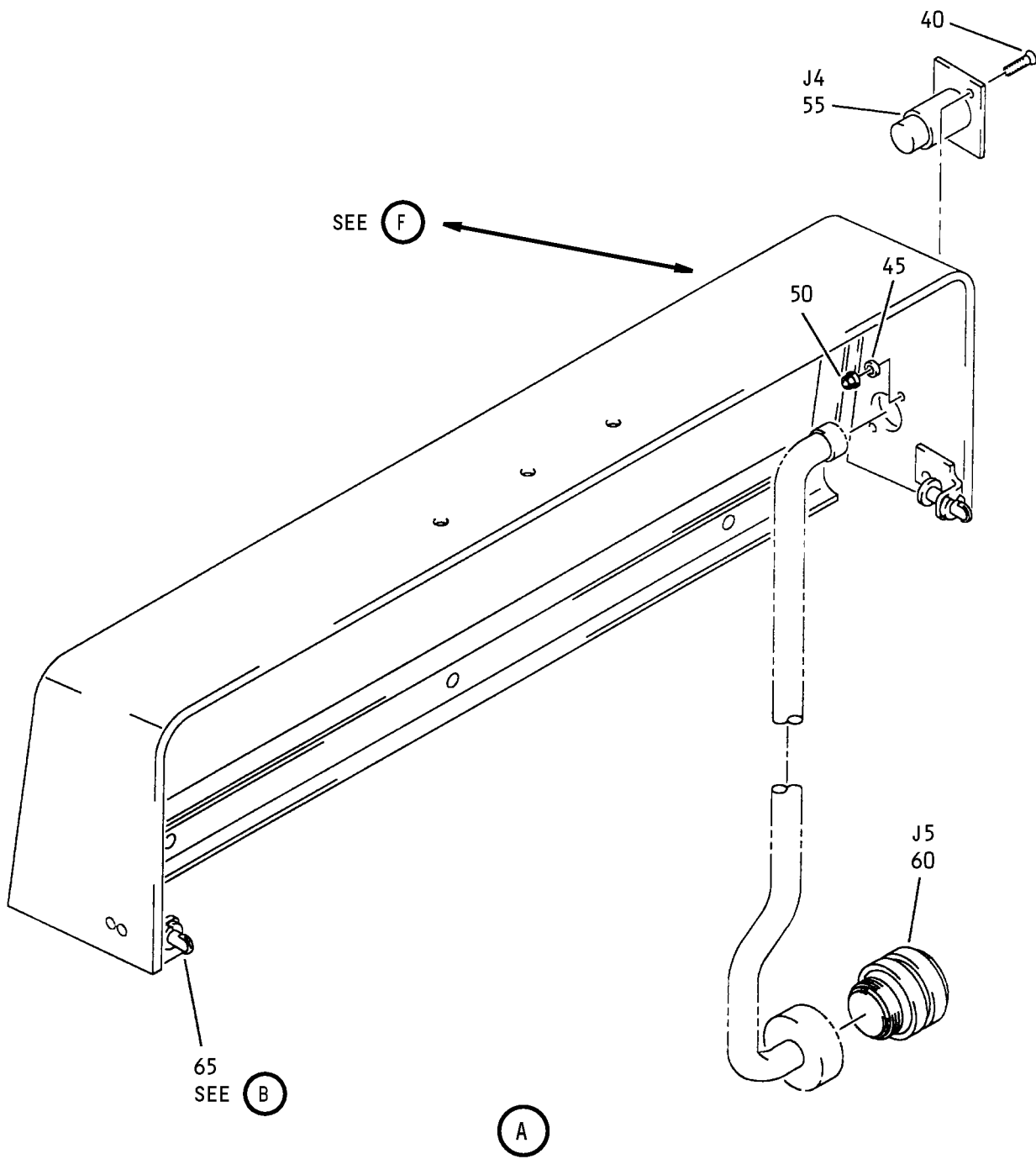
ILLUSTRATED PARTS LIST
 01.1 Page 1050
 Jul 01/03



Abbreviated Attendant's Panel
 Figure 4 (Sheet 1)

25-63-11

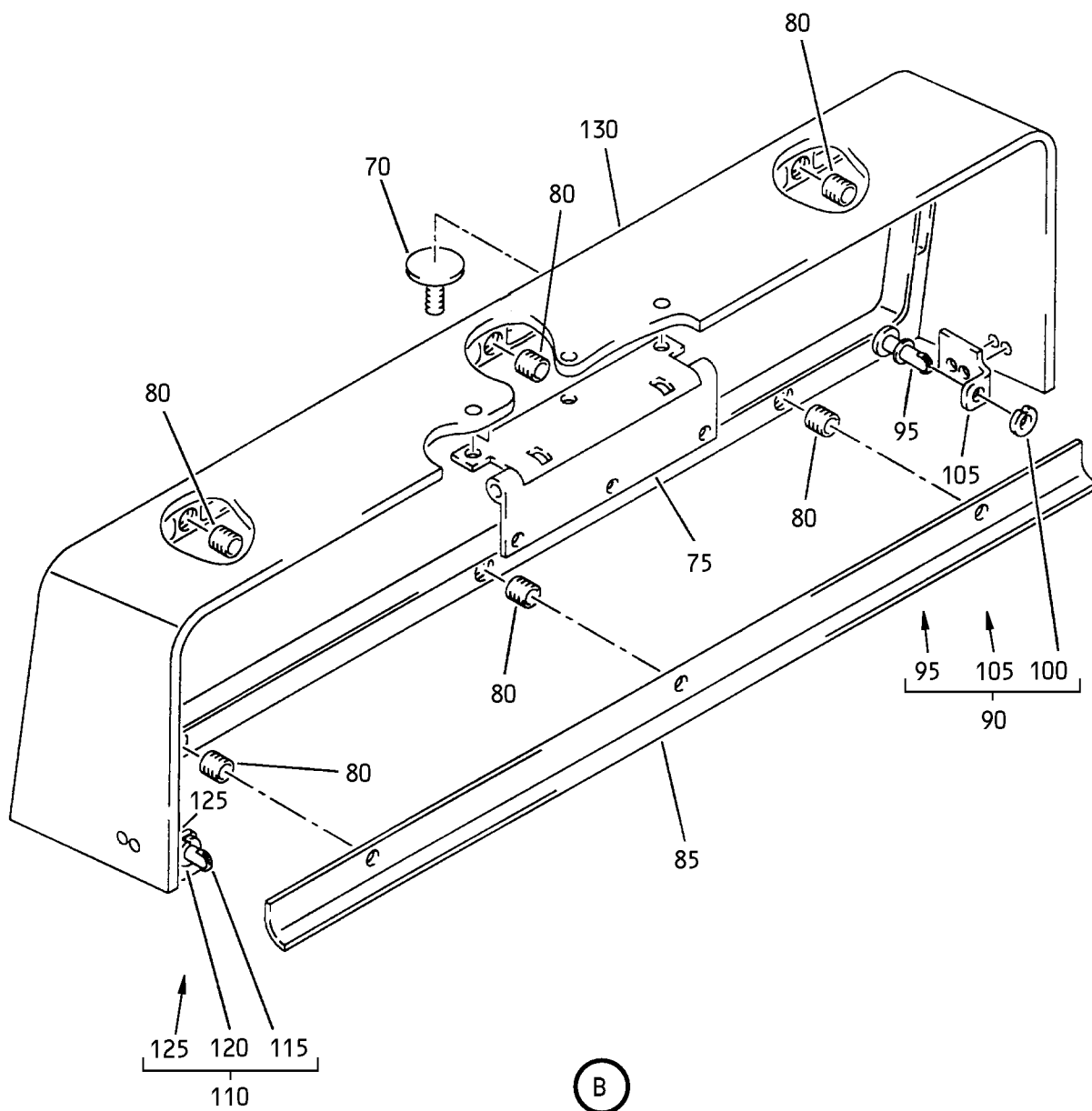
ILLUSTRATED PARTS LIST
 01.1 Page 1051
 Jul 01/03



Abbreviated Attendant's Panel
 Figure 4 (Sheet 2)

25-63-11

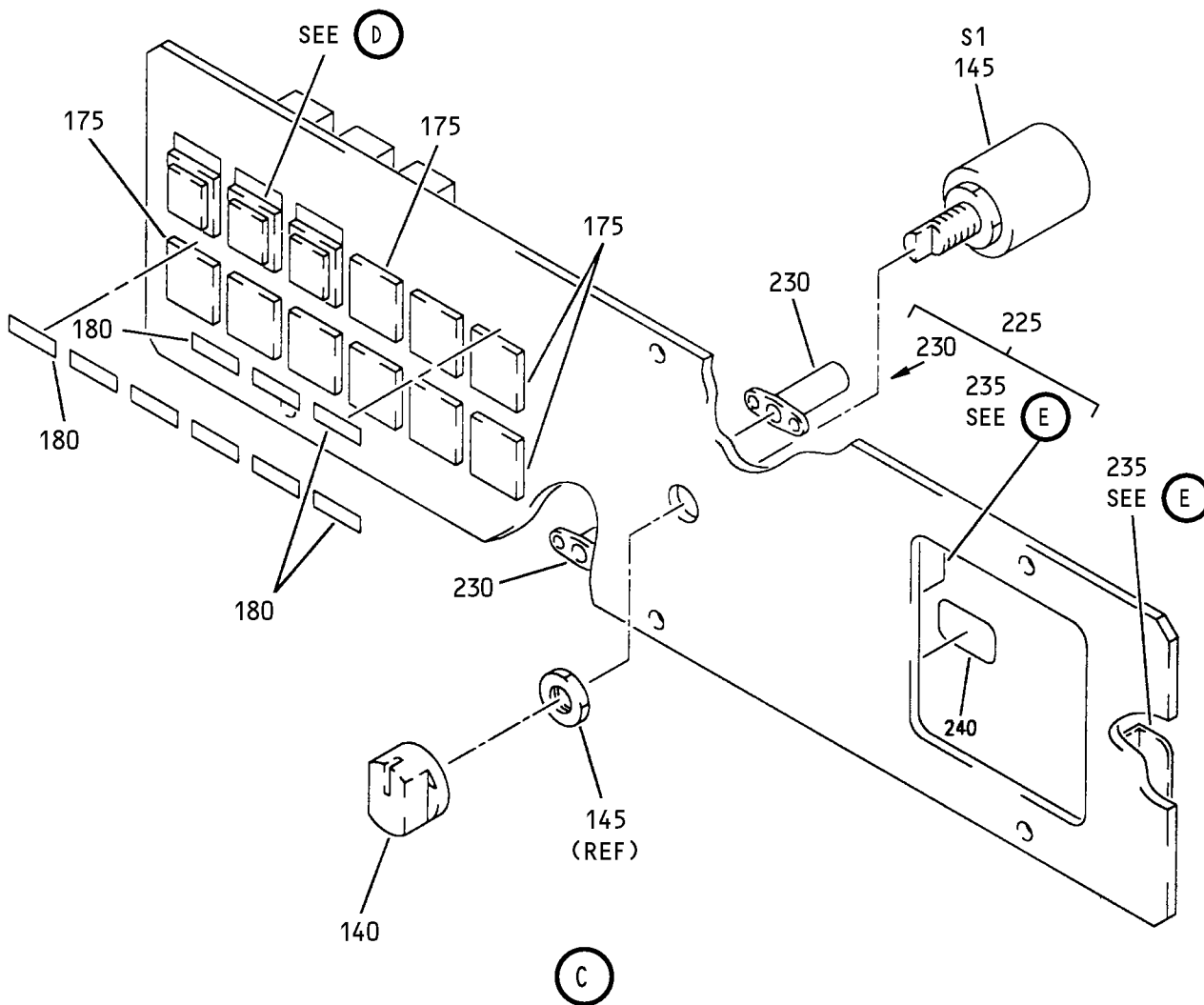
ILLUSTRATED PARTS LIST
 01.1 Page 1052
 Jul 01/03



Abbreviated Attendant's Panel
 Figure 4 (Sheet 3)

25-63-11

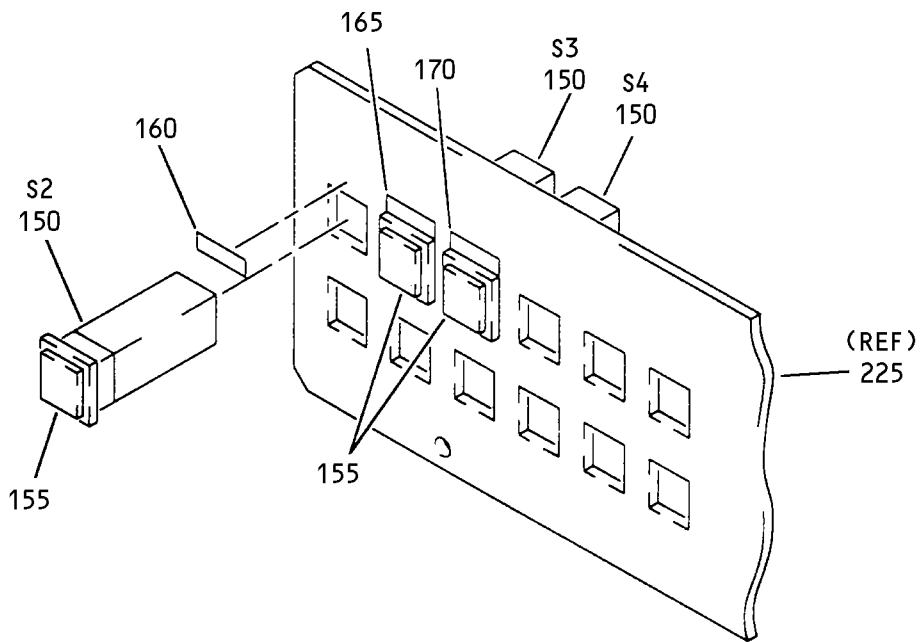
ILLUSTRATED PARTS LIST
 01.1 Page 1053
 Jul 01/03



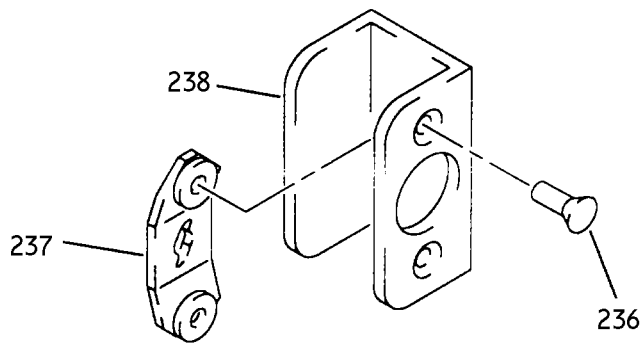
Abbreviated Attendant's Panel
 Figure 4 (Sheet 4)

25-63-11

ILLUSTRATED PARTS LIST
 01.1 Page 1054
 Jul 01/03



(D)



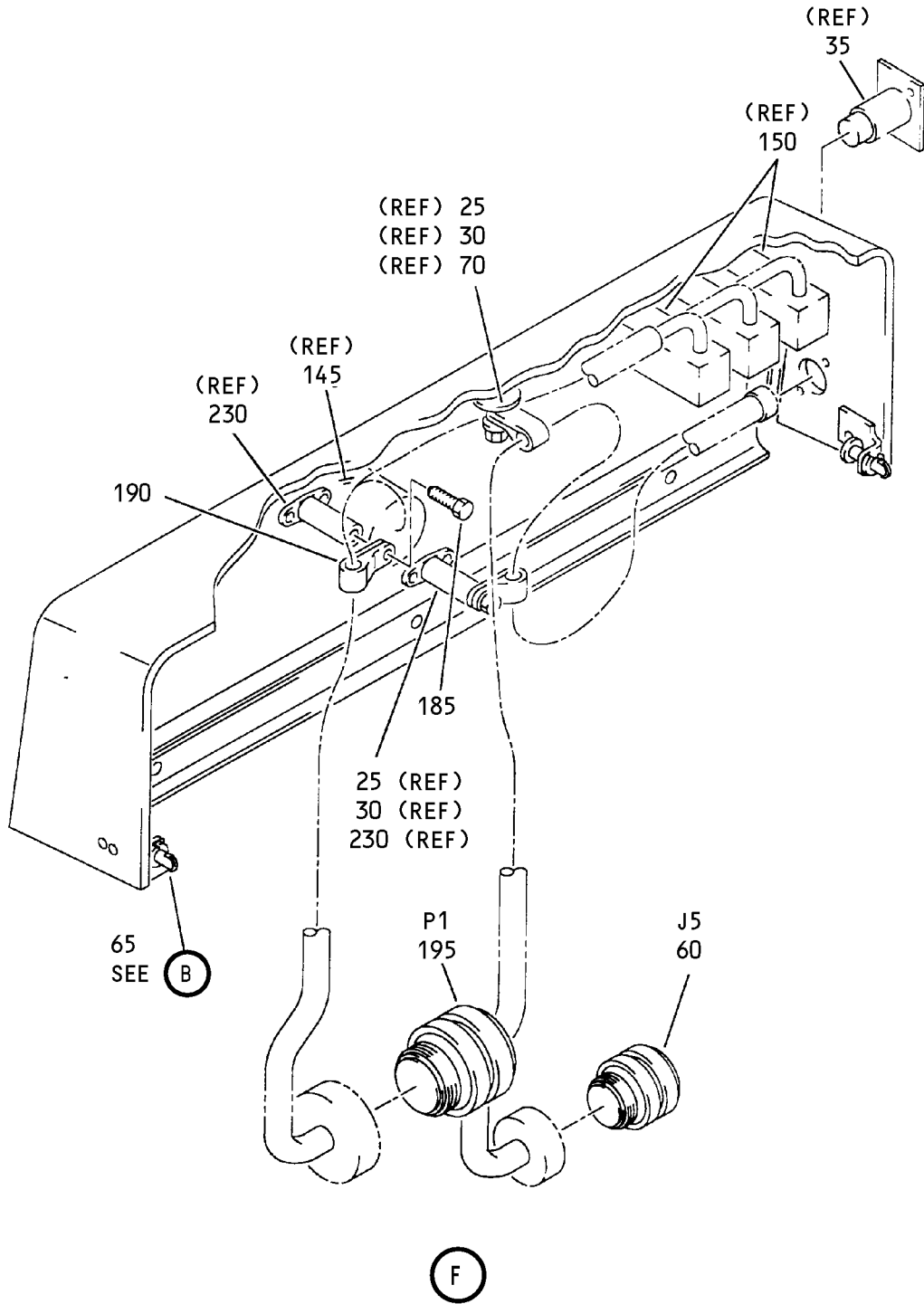
(E)

Abbreviated Attendant's Panel
 Figure 4 (Sheet 5)

25-63-11

ILLUSTRATED PARTS LIST
 01.1 Page 1055
 Jul 01/03

BOEING
 COMPONENT
 MAINTENANCE MANUAL



Abbreviated Attendant's Panel
 Figure 4 (Sheet 6)

25-63-11

ILLUSTRATED PARTS LIST
 01.1 Page 1056
 Jul 01/03


BOEING
 COMPONENT
 MAINTENANCE MANUAL

FIG. & ITEM	PART NO.	AIRLINE PART NUMBER	NOMENCLATURE 1234567	EFF CODE	QTY PER ASSY
04- -1A	285T0659-21		PANEL ASSY-ABBREVIATED ATTENDANTS (P81)	R	RF
-1B	285T0659-30		PANEL ASSY-ABBREVIATED ATTENDANTS (P81)	Z	RF
5	NAS1801-08-4		.SCREW	R	6
-5A	NAS1801-08-4		.SCREW- (OPT ITEM 5B)	Z	6
-5B	MS51957-42		.SCREW- (OPT ITEM 5A)	Z	6
10	AN960PD8L		.WASHER	R	6
-10A	AN960PD8L		.WASHER- (OPT ITEM 10B)	Z	6
-10B	NAS1149CN816R		.WASHER- (OPT ITEM 10A)	Z	6
15	MS35333-38		.WASHER	R	6
-15A	MS35333-38		.WASHER- (OPT ITEM 15B)	Z	6
-15B	MS35338-137		.WASHER- (OPT ITEM 15A)	Z	6
20	NAS1801-3-10		.SCREW	R,Z	1
25	BACC10DK		.CLAMP- (SIZE DETERMINE ON INST)	R,Z	2
30	MS21042L08		.NUT	R	1
-30A	MS21042L08		.NUT- (OPT ITEM 30B)	Z	1
-30B	MS21043-08		.NUT- (OPT ITEM 30A)	Z	1
35	285T1162-3		.WIRING ASSY-SHROUD	R,Z	1
40	MS35190-223		..SCREW	R,Z	2
45	AN960-4L		..WASHER	R,Z	2

25-63-11

 ILLUSTRATED PARTS LIST
 01.1 Page 1057
 Jul 01/03


BOEING
 COMPONENT
 MAINTENANCE MANUAL

FIG. & ITEM	PART NO.	AIRLINE PART NUMBER	NOMENCLATURE 1234567	EFF CODE	QTY PER ASSY
04-50	MS21042-04		..NUT- (OPT ITEM 50A)	R,Z	2
-50A	MS21042L04		..NUT- (OPT ITEM 50)	R,Z	2
55	AXR4-31		..JACK-MIC (V71468) (J4) (OPT ITEM 55A)	R,Z	1
-55A	XLR4-31		..JACK-MIC (V71468) (J4) (OPT ITEM 55)	R,Z	1
60	BACC45FT10B5P		..CONNECTOR- (J5)	R,Z	1
65	417T6507-4		..SHROUD ASSY	R,Z	1
70	SL6156-08		...STUD- (V97393)	R,Z	1
75	417T6007-4		...HINGE	R,Z	1
80	NAS1394-08		...INSERT- (OPT ITEMS 80A, 80B)	R,Z	6
-80A	TNC2C0164		...INSERT- (V29372) (OPT ITEMS 80, 80B)	R,Z	6
-80B	1185-2CN0164		...INSERT- (V01556) (OPT ITEMS 80, 80A)	R,Z	6
85	417T6014-16		...STIFFENER	R,Z	1
90	417T6005-4		...BRACKET ASSY-MTG	R,Z	1
95	BACS21AP80R	STUD- (OPT ITEM 95A)	R,Z	1
-95A	82-99-341-08	STUD- (V94222) (SPEC BACS21AP80RP) (OPT ITEM 95)	R,Z	1

25-63-11

 ILLUSTRATED PARTS LIST
 01.1 Page 1058
 Jul 01/03



BOEING
COMPONENT
MAINTENANCE MANUAL

FIG. & ITEM	PART NO.	AIRLINE PART NUMBER	NOMENCLATURE 1234567	EFF CODE	QTY PER ASSY
04-100	BACR12AG2C	RING- (V94222) (SPEC BACR12AG2C)	R,Z	1
105	417T6014-6	BRACKET	R,Z	1
110	417T6005-2		...BRACKET ASSY-MTG	R,Z	1
115	BACS21AP80R	STUD- (OPT ITEM 115A)	R,Z	1
-115A	82-99-341-08	STUD- (V94222) (SPEC BACS21AP80RP) (OPT ITEM 115)	R,Z	1
120	BACR12AG2C	RING- (V94222) (SPEC BACR12AG2C)	R,Z	1
125	417T6014-3	BRACKET	R,Z	1
130	417T6507-5		...SHROUD	R,Z	1
135	285T0691-2		.WIRING ASSY-FACEPLATE	R	1
-135A	285T0691-10		.WIRING ASSY-FACEPLATE	Z	1
140	RD409-101		..KNOB-SWITCH (V15084)	R,Z	1
145	44MY232797		..SWITCH-ROTARY (V81073) (S1)	R,Z	1
150	2100-3		..SWITCH-2 POLE ALT (V91929) (S2-S4)	R,Z	3
155	2100-100		..LENS-WHITE, NO LEGEND (V91929)	R,Z	3
160	417T6012-7		..DECAL-SLIP IN, ATTND-L	R,Z	1
165	417T6012-19		..DECAL-SLIP IN, ATTND-C	R,Z	1
170	417T6012-9		..DECAL-SLIP IN, ATTND-R	R,Z	1
175	AML78CB001		..PLUG-SQUARE (V91929)	R,Z	9
180	417T6012-3		..DECAL-SLIP IN, NO LEGEND	R,Z	9
185	NAS1801-3-10		..SCREW	R,Z	1
190	BACC10DK		..CLAMP- (SIZE DETERMINE ON INST)	R,Z	1

25-63-11

ILLUSTRATED PARTS LIST
01.1 Page 1059
Jul 01/03



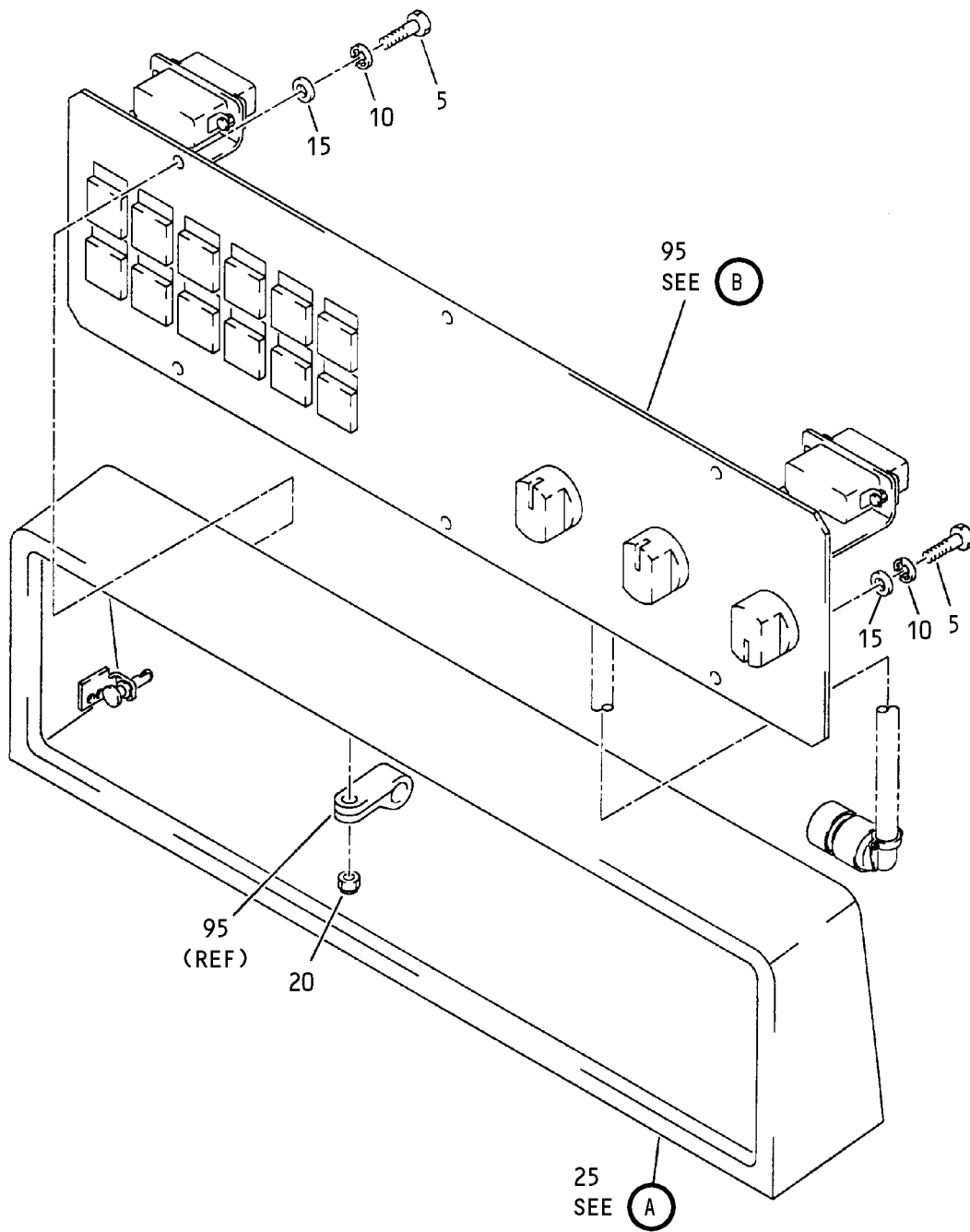
BOEING
COMPONENT
MAINTENANCE MANUAL

FIG. & ITEM	PART NO.	AIRLINE PART NUMBER	NOMENCLATURE 1234567	EFF CODE	QTY PER ASSY
04-195	BACC45FT16B24P		..CONNECTOR-(P1)	R,Z	1
-200	48-100-5014P02		..PIN-ADAPTER (V04814)	R	AR
-205	60729-1		..TERMINAL-POKE ON (V00779) (OPT ITEM 205A)	R	1
-205A	61048-1		..TERMINAL-POKE ON (V00779) (OPT ITEM 205)	R	1
-210	60729-1		..TERMINAL-POKE ON (V00779) (OPT ITEM 210A)	Z	1
-210A	61060-1		..TERMINAL-POKE ON (V00779) (OPT ITEM 210)	Z	1
-215	61048-1		..TERMINAL-POKE ON (V00779) (OPT ITEM 215A)	Z	1
-215A	61060-1		..TERMINAL-POKE ON (V00779) (OPT ITEM 215)	Z	1
-220	640929-1		..TERMINAL-POKE ON (V00779)	R,Z	1
225	285T0692-1		..FACEPLATE ASSY	R	1
-225A	285T0692-7		..FACEPLATE ASSY	Z	1
230	WSI4-10		...NUTPLATE-(V04169) (SPEC BACN10TL3-10)	R,Z	2
235	417T6017-2		...BRACKET ASSY-MTG	R,Z	2
240	BAC27TPPS4101		..MARKER-ALUMINUM FOIL, M883 EM. EVAC	R,Z	1

- Item Not Illustrated

25-63-11

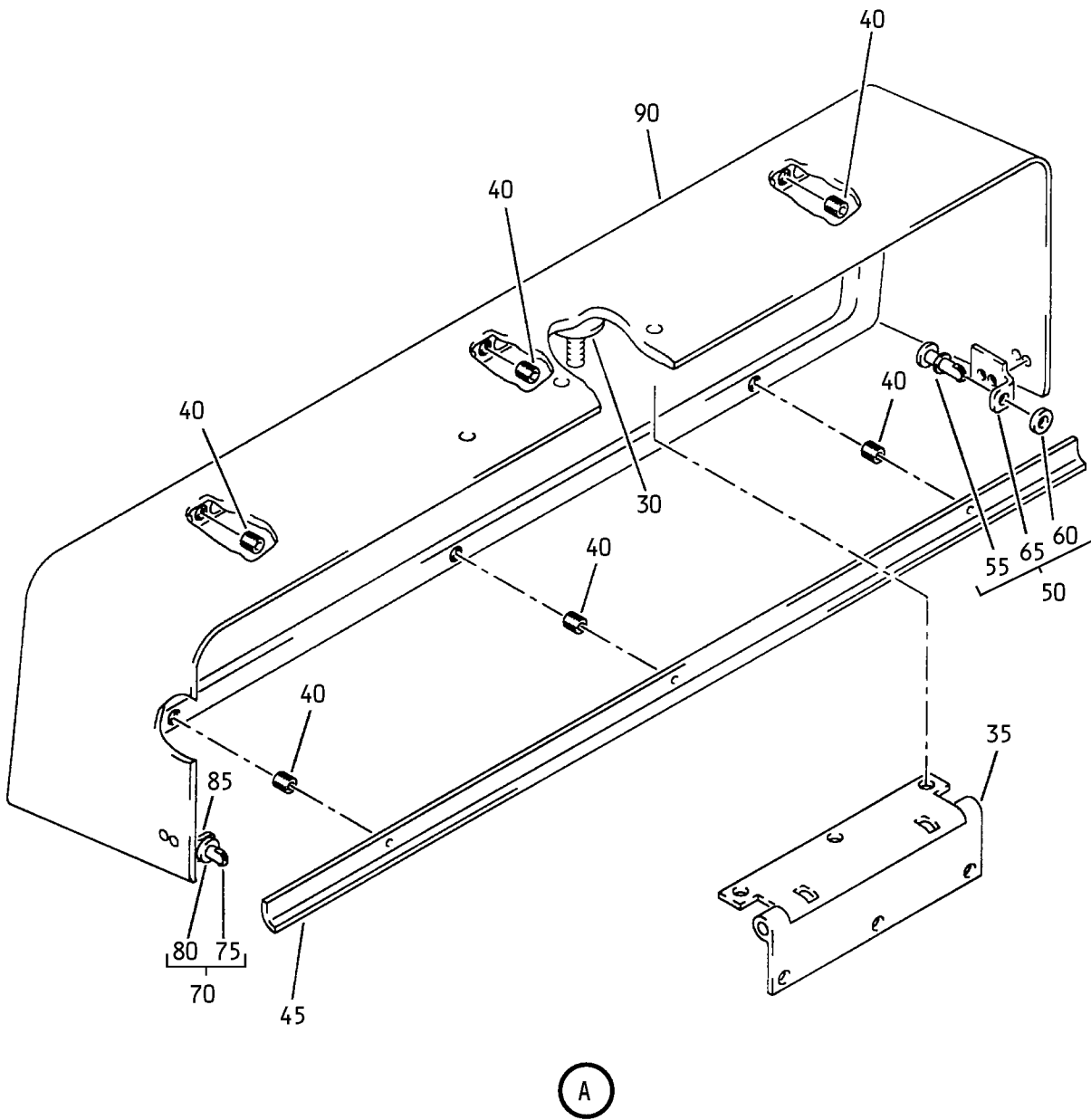
ILLUSTRATED PARTS LIST
01.1 Page 1060
Jul 01/03



Abbreviated Attendant's Panel
Figure 5 (Sheet 1)

25-63-11

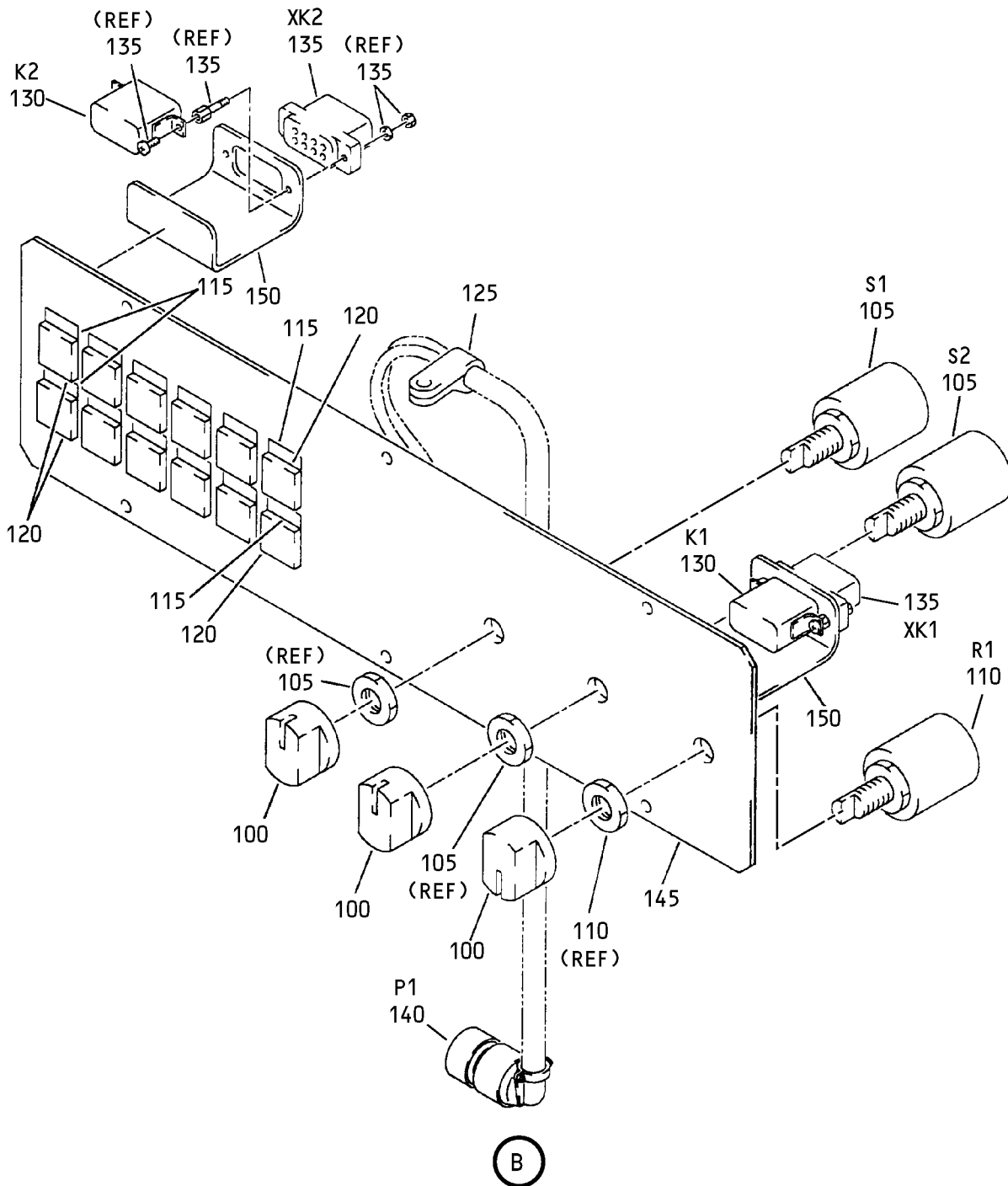
ILLUSTRATED PARTS LIST
01.1 Page 1062
Jul 01/03



Abbreviated Attendant's Panel
 Figure 5 (Sheet 2)

25-63-11

ILLUSTRATED PARTS LIST
 01.1 Page 1063
 Jul 01/03



Abbreviated Attendant's Panel
 Figure 5 (Sheet 3)

25-63-11

ILLUSTRATED PARTS LIST
 01.1 Page 1064
 Jul 01/03



BOEING
COMPONENT
MAINTENANCE MANUAL

FIG. & ITEM	PART NO.	AIRLINE PART NUMBER	NOMENCLATURE 1234567	EFF CODE	QTY PER ASSY
05- -1A	285T0659-22		PANEL ASSY-ABBREVIATED ATTENDANTS (P81)	S	RF
5	NAS1801-08-4		.SCREW	S	6
10	MS35333-38		.WASHER	S	6
15	AN960PD8L		.WASHER	S	6
20	H10-08BAC		.NUT- (V15653) (SPEC BACN10JC08) (OPT NS202101-82 (V80539)) (OPT RMLH9075-82W (V72962)) (OPT VN303A82 (V92215)) (OPT 96-82 (V80539)) (OPT BRH10A08 (V52828)) (OPT T6S832J (V11815))	S	1
25	417T6507-4		.SHROUD ASSY	S	1
30	SL6156-08		..STUD- (V97393)	S	1
35	417T6007-4		..HINGE	S	1
40	NAS1394-08		..INSERT- (OPT ITEMS 40A, 40B)	S	6
-40A	TNC2C0164		..INSERT- (V29372) (OPT ITEMS 40, 40B)	S	6
-40B	1185-2CN0164		..INSERT- (V01556) (OPT ITEMS 40, 40A)	S	6

25-63-11

ILLUSTRATED PARTS LIST
01.1 Page 1065
Jul 01/03



BOEING
COMPONENT
MAINTENANCE MANUAL

FIG. & ITEM	PART NO.	AIRLINE PART NUMBER	NOMENCLATURE 1234567	EFF CODE	QTY PER ASSY
05-					
45	417T6014-16		..STIFFENER	S	1
50	417T6005-4		..BRACKET ASSY-MTG	S	1
55	BACS21AP80R		...STUD- (OPT ITEM 55A)	S	1
-55A	82-99-341-08		...STUD- (V94222) (SPEC BACS21AP80RP) (OPT ITEM 55)	S	1
60	BACR12AG2C		...RING- (V94222) (SPEC BACR12AG2C)	S	1
65	417T6014-6		...BRACKET	S	1
70	417T6005-2		..BRACKET ASSY-MTG	S	1
75	BACS21AP80R		...STUD- (OPT ITEM 75A)	S	1
-75A	82-99-341-08		...STUD- (V94222) (SPEC BACS21AP80RP) (OPT ITEM 75)	S	1
80	BACR12AG2C		...RING- (V94222) (SPEC BACR12AG2C)	S	1
85	417T6014-3		...BRACKET	S	1
90	417T6507-5		..SHROUD	S	1
95	417T6508-27		.WIRING ASSY-FACEPLATE	S	1
100	RD409-101		..KNOB- (V15084)	S	3
105	44YY23734		..SWITCH-ROTARY (V81073) (S1, S2)	S	2

25-63-11

ILLUSTRATED PARTS LIST
01.1 Page 1066
Jul 01/03



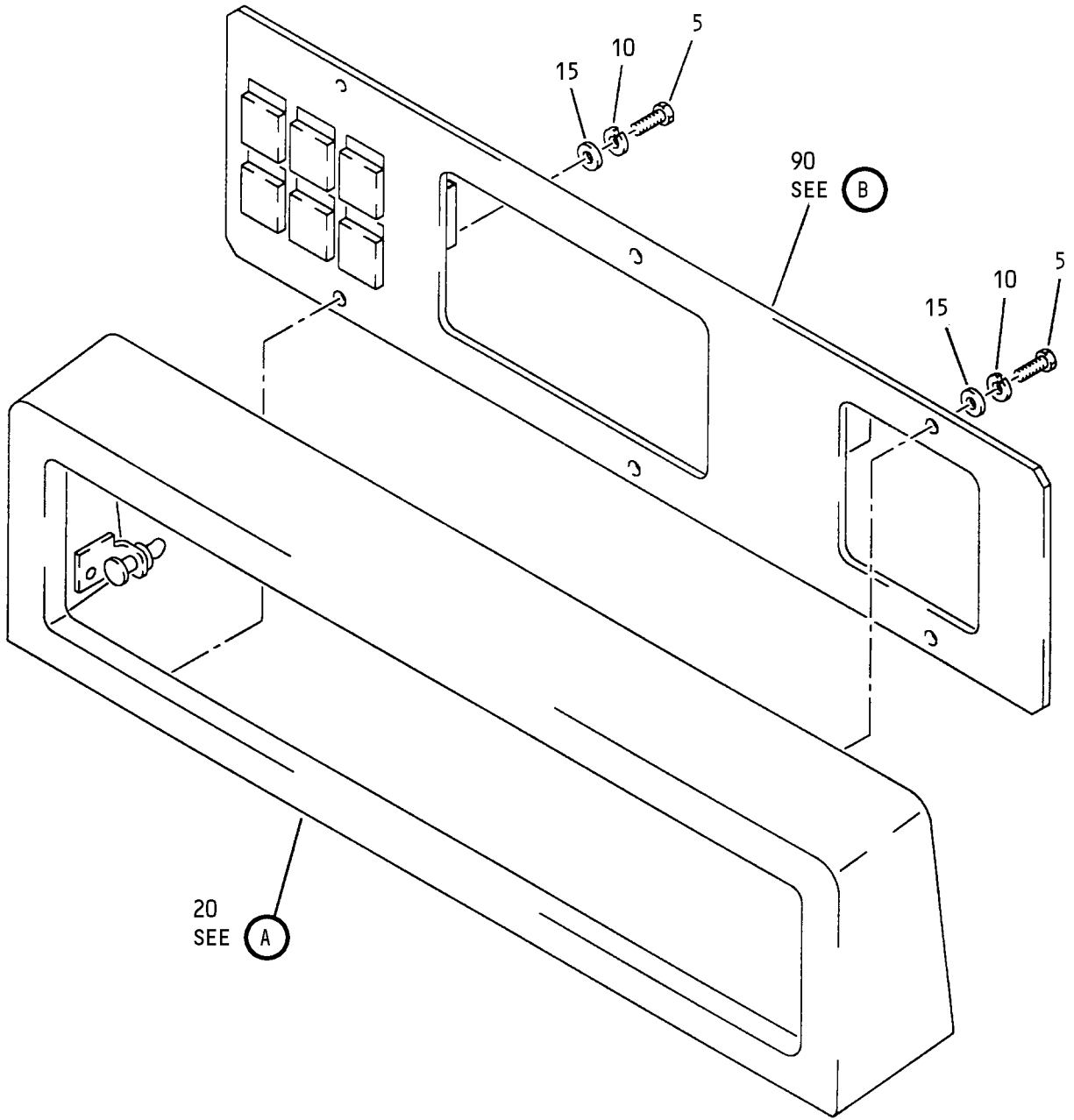
BOEING
 COMPONENT
 MAINTENANCE MANUAL

FIG. & ITEM	PART NO.	AIRLINE PART NUMBER	NOMENCLATURE 1234567	EFF CODE	QTY PER ASSY
05-110	200-26542-01		..SWITCH-RHEOSTAT (V95266) (R1)	S	1
115	417T6012-3		..DECAL-SLIP IN, NO LEGEND	S	12
120	AML78CB001		..PLUG-SQUARE (V91929)	S	12
125	BACC10DK		..CLAMP- (SIZE DETERMINE ON INST)	S	1
130	JAD9F007		..RELAY- (V58657) (SPEC BACR13CJ2) (K1, K2)	S	2
135	BACS16X3		..SOCKET-RELAY (XK1, XK2)	S	2
140	BACC45FT16B24P		..CONNECTOR-RELAY (P1)	S	1
145	417T6509-9		..FACEPLATE ASSY	S	1
150	417T6017-1		...BRACKET-RELAY	S	2

- Item Not Illustrated

25-63-11

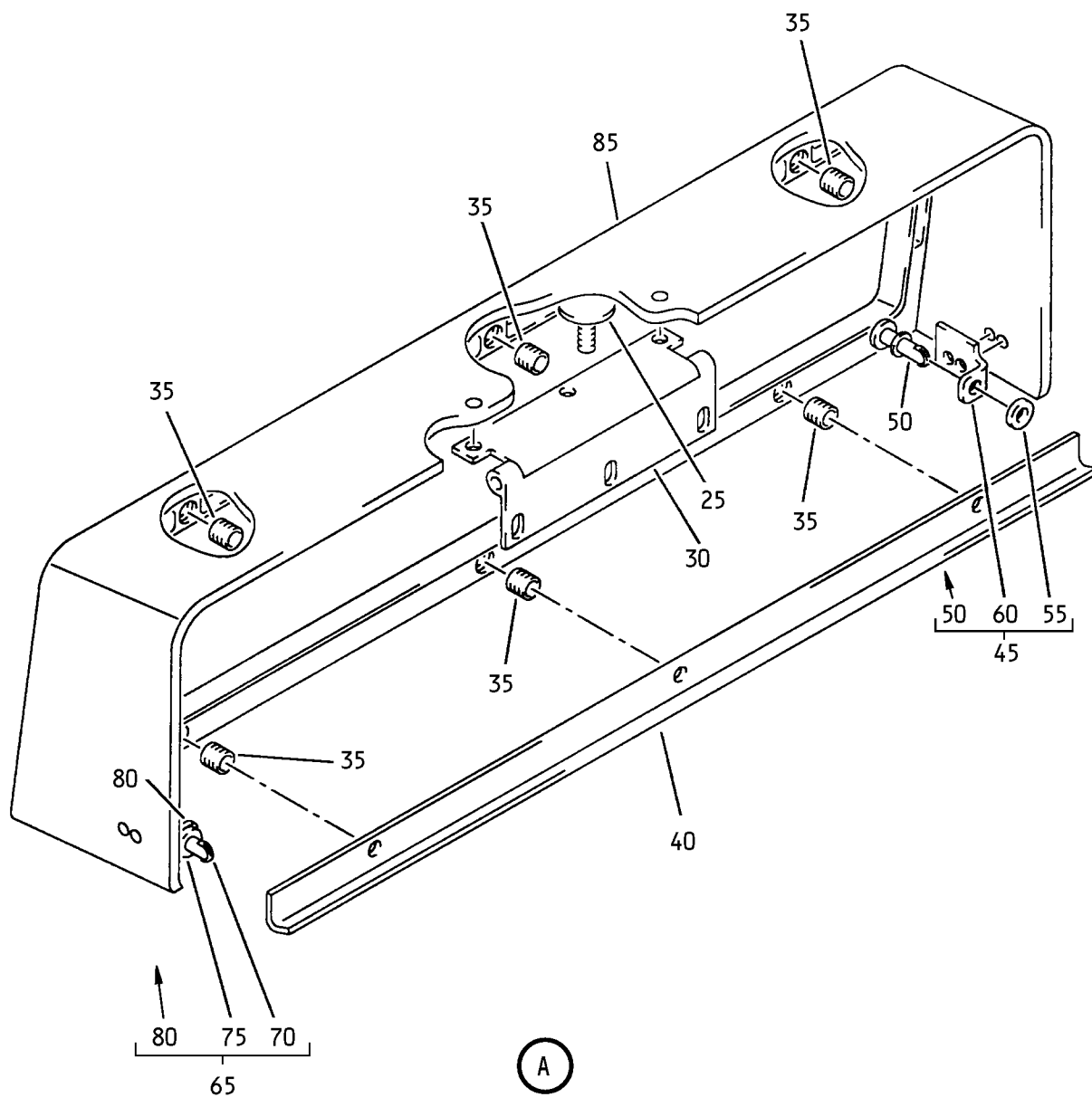
ILLUSTRATED PARTS LIST
 01.1 Page 1067
 Jul 01/03



Abbreviated Attendant's Panel
Figure 6 (Sheet 1)

25-63-11

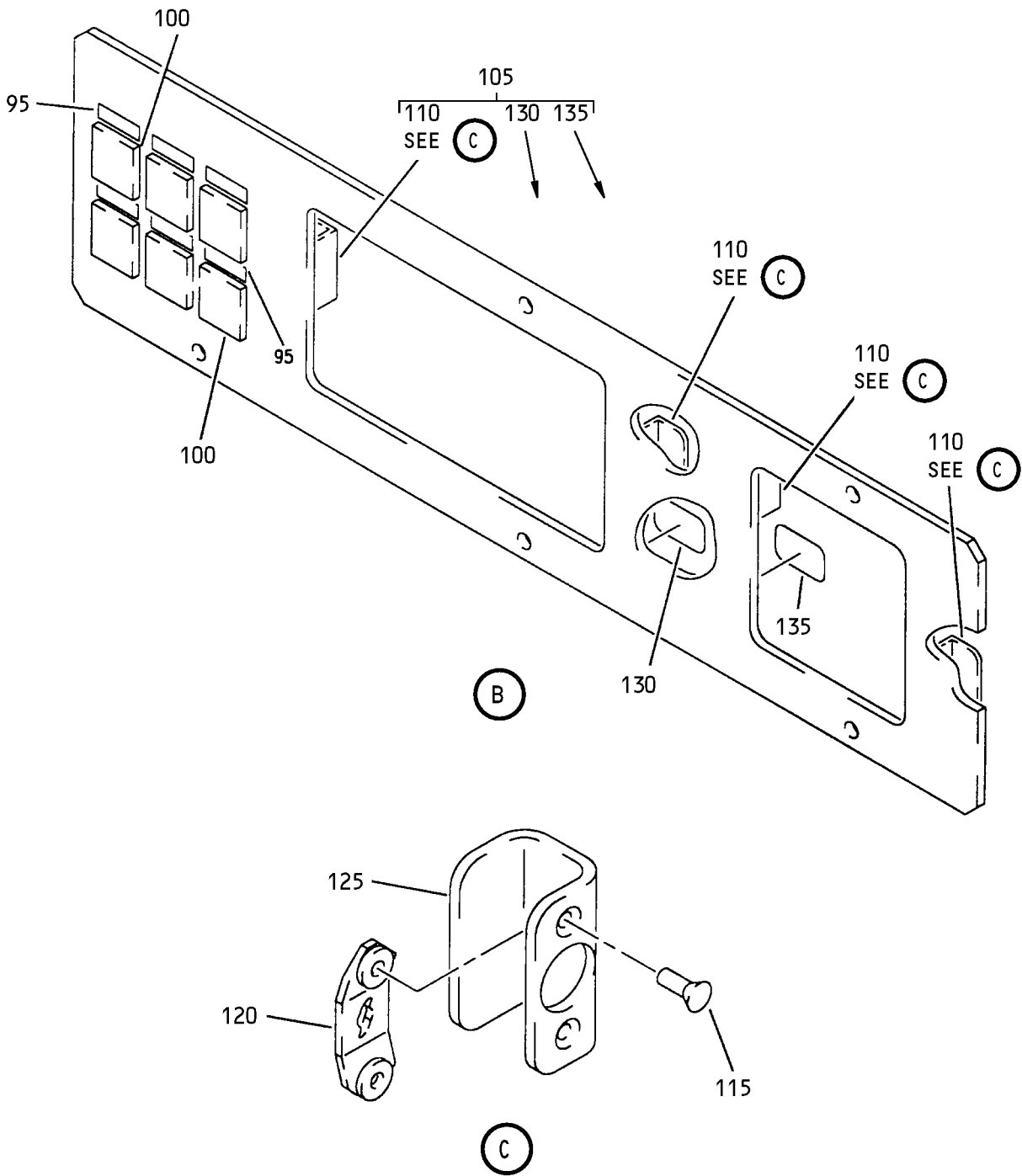
ILLUSTRATED PARTS LIST
01.1 Page 1068
Jul 01/03



Abbreviated Attendant's Panel
 Figure 6 (Sheet 2)

25-63-11

ILLUSTRATED PARTS LIST
 01.1 Page 1069
 Jul 01/03



Abbreviated Attendant's Panel
 Figure 6 (Sheet 3)

25-63-11

ILLUSTRATED PARTS LIST
 01.1 Page 1070
 Jul 01/03



BOEING
COMPONENT
MAINTENANCE MANUAL

FIG. & ITEM	PART NO.	AIRLINE PART NUMBER	NOMENCLATURE 1234567	EFF CODE	QTY PER ASSY
06- -1A	285T0659-29		PANEL ASSY-ABBREVIATED ATTENDANTS (P57)	Y	RF
5	NAS1801-08-4		.SCREW- (OPT ITEM 5A)	Y	6
-5A	MS51957-41		.SCREW- (OPT ITEM 5)	Y	6
10	MS35333-38		.WASHER- (OPT ITEM 10A)	Y	6
-10A	MS35338-137		.WASHER- (OPT ITEM 10)	Y	6
15	AN960PD8L		.WASHER- (OPT ITEM 15A)	Y	6
-15A	NAS1149CN816R		.WASHER- (OPT ITEM 15)	Y	6
20	417T6507-6		.SHROUD ASSY	Y	1
25	SL6156-08		..STUD- (V97393)	Y	1
30	417T6007-4		..HINGE	Y	1
35	NAS1394-08		..INSERT- (OPT ITEMS 35A, 35B)	Y	6
-35A	TNC2C0164		..INSERT- (V29372) (OPT ITEMS 35, 35B)	Y	6
-35B	1185-2CN0164		..INSERT- (V01556) (OPT ITEMS 35, 35A)	Y	6
40	417T6014-16		..STIFFENER	Y	1
45	417T6005-4		..BRACKET ASSY-MTG	Y	1
50	BACS21AP80R		...STUD- (OPT ITEM 50A)	Y	1
-50A	82-99-341-08		...STUD- (V94222) (SPEC BACS21AP80RP) (OPT ITEM 50)	Y	1

25-63-11

ILLUSTRATED PARTS LIST
01.1 Page 1071
Jul 01/03



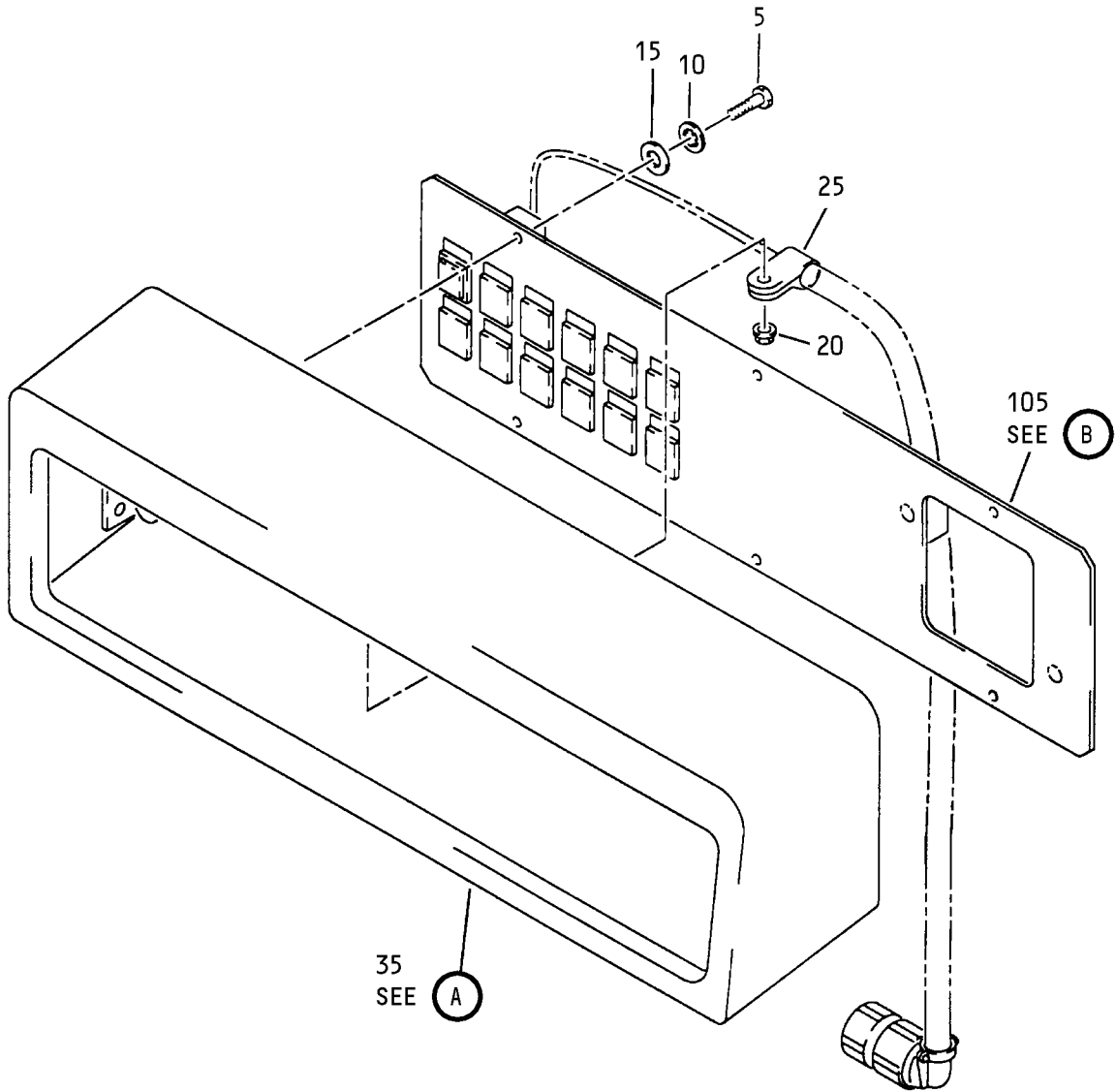
BOEING
COMPONENT
MAINTENANCE MANUAL

FIG. & ITEM	PART NO.	AIRLINE PART NUMBER	NOMENCLATURE 1234567	EFF CODE	QTY PER ASSY
06-55	BACR12AG2C		...RING- (V94222) (SPEC BACR12AG2C)	Y	1
60	417T6014-6		...BRACKET	Y	1
65	417T6005-2		..BRACKET ASSY-MTG	Y	1
70	BACS21AP80R		...STUD- (OPT ITEM 70A)	Y	1
-70A	82-99-341-08		...STUD- (V94222) (SPEC BACS21AP80RP) (OPT ITEM 70)	Y	1
75	BACR12AG2C		...RING- (V94222) (SPEC BACR12AG2C)	Y	1
80	417T6014-3		...BRACKET	Y	1
85	417T6507-7		..SHROUD	Y	1
90	285T0691-9		.WIRING ASSY	Y	1
95	417T6012-3		..DECAL-SLIP IN, NO LEGEND	Y	6
100	AML78CB001		..PLUG-SQUARE (V91929)	Y	6
105	285T1211-3		..FACEPLATE ASSY	Y	1
110	417T6017-2		...BRACKET ASSY	Y	4
115	BACR15BA3	RIVET- (SIZE DETERMINE ON INST)	Y	2
120	82-99-342-15	RECEPTACLE- (V94222) (SPEC BACR11AM2) (OPT 2-295 (V94222))	Y	1
125	417T6017-3	BRACKET-MTG	Y	1
130	BAC27TPPS0131		..MARKER-ALUMINUM FOIL, M1077 PRE. REC. ANNCMNT.	Y	1
135	BAC27TPPS4099		..MARKER-ALUMINUM FOIL, M881 EM. EVAC	Y	1

- Item Not Illustrated

25-63-11

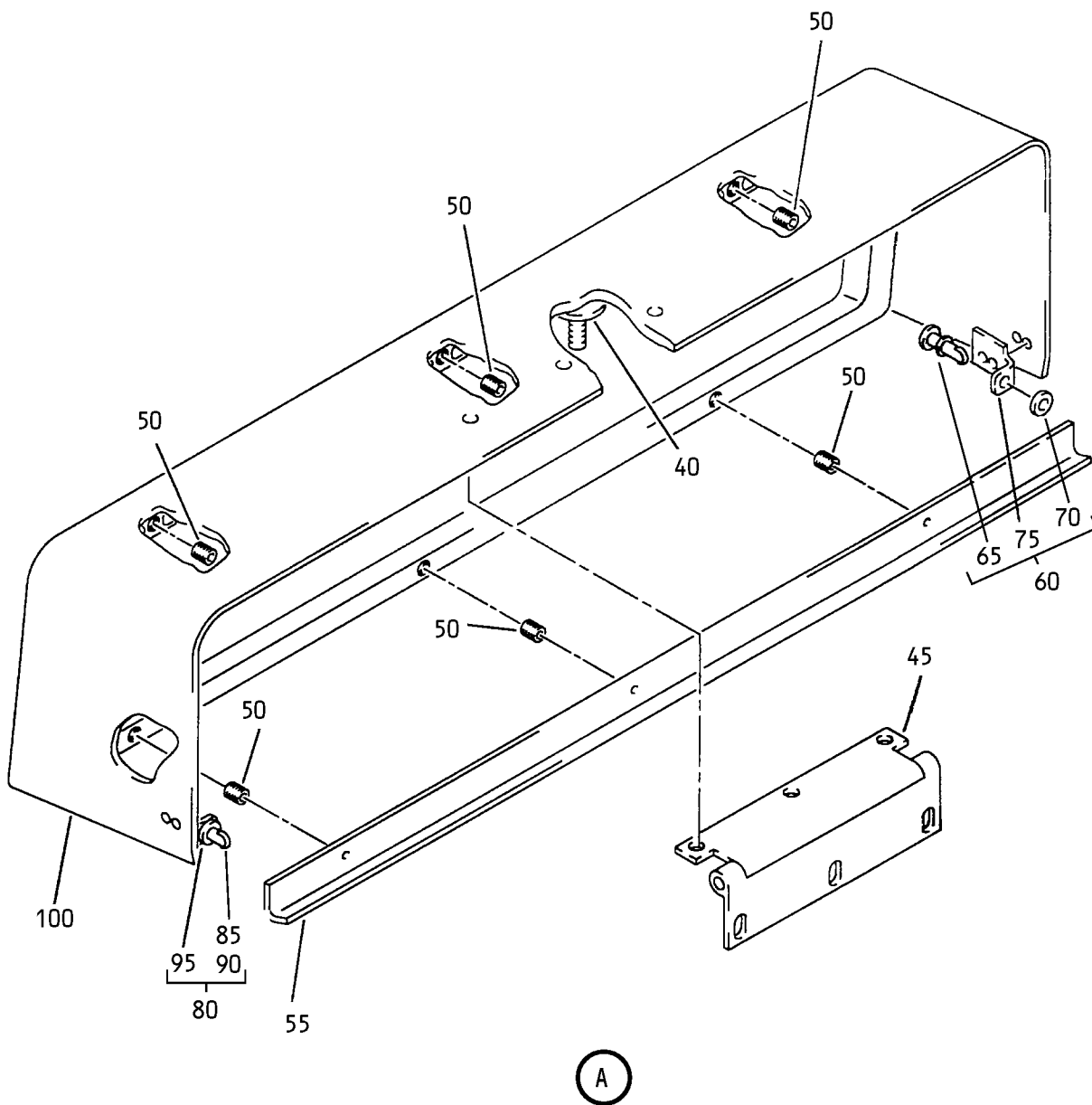
ILLUSTRATED PARTS LIST
01.1 Page 1072
Jul 01/03



Abbreviated Attendant's Panel
Figure 7 (Sheet 1)

25-63-11

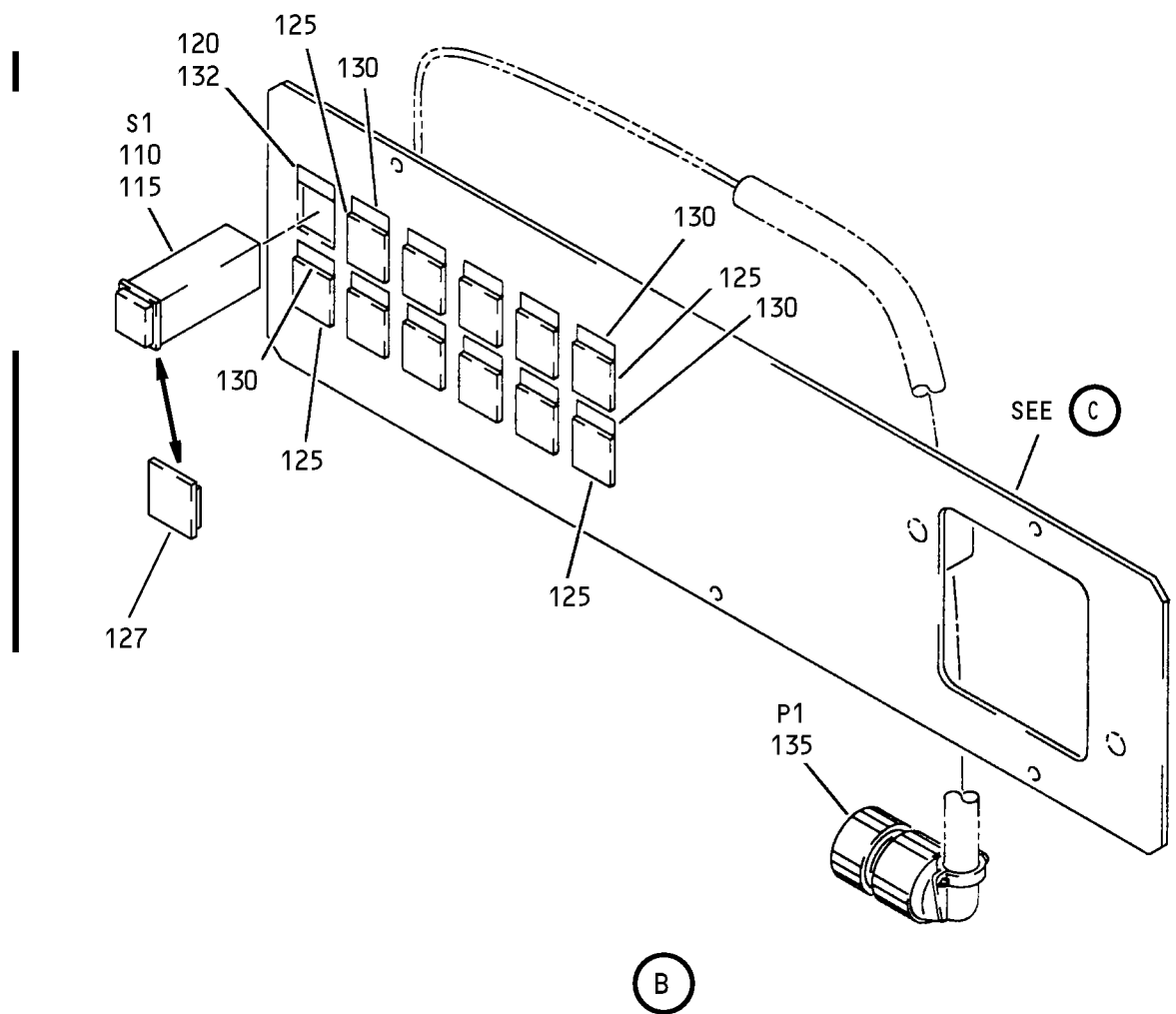
ILLUSTRATED PARTS LIST
01.1 Page 1073
Jul 01/03



Abbreviated Attendant's Panel
 Figure 7 (Sheet 2)

25-63-11

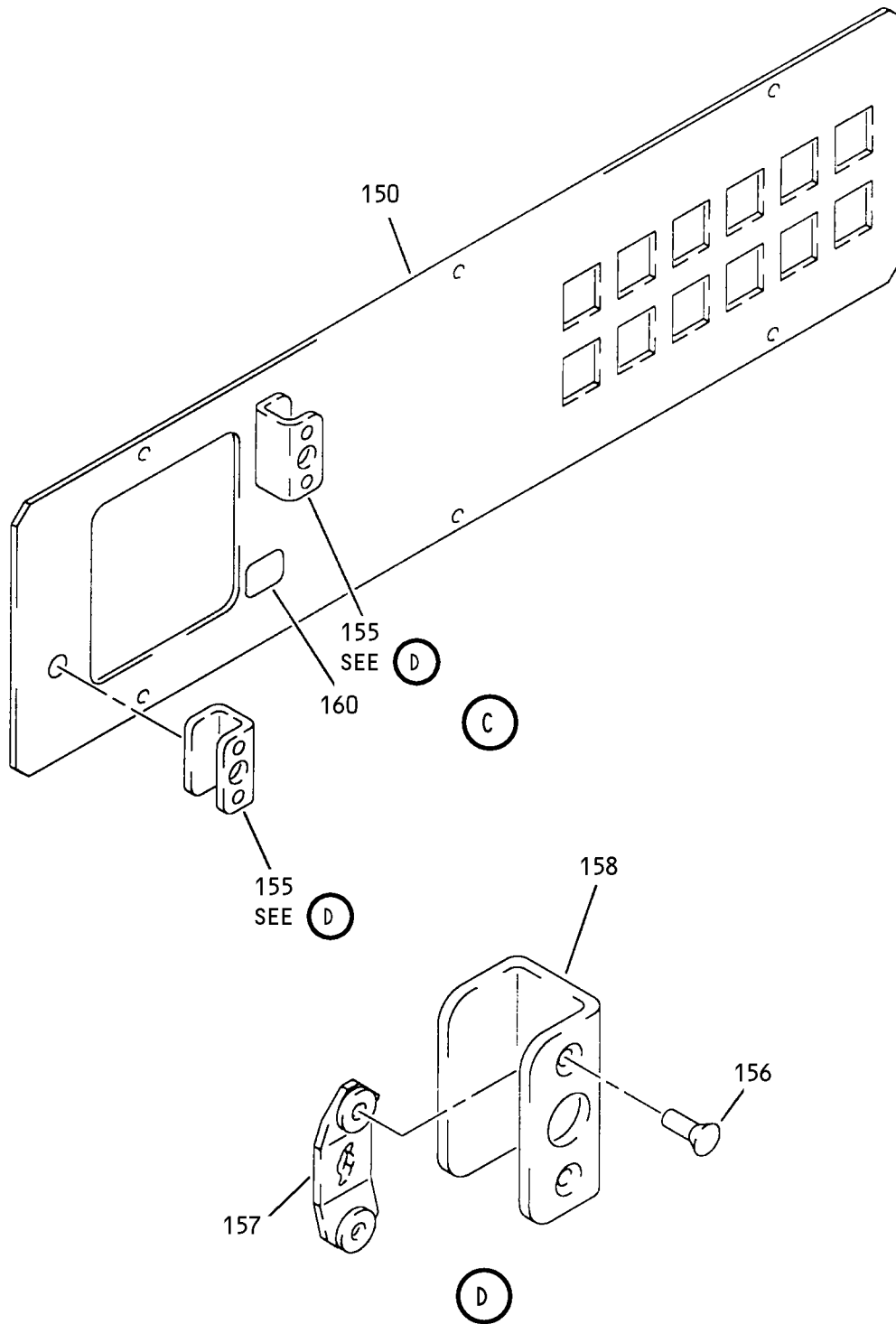
ILLUSTRATED PARTS LIST
 01.1 Page 1074
 Jul 01/03



Abbreviated Attendant's Panel
 Figure 7 (Sheet 3)

25-63-11

ILLUSTRATED PARTS LIST
 01.1 Page 1075
 Jul 01/03



Abbreviated Attendant's Panel
 Figure 7 (Sheet 4)

25-63-11

ILLUSTRATED PARTS LIST
 01.1 Page 1076
 Jul 01/03


BOEING
 COMPONENT
 MAINTENANCE MANUAL

FIG. & ITEM	PART NO.	AIRLINE PART NUMBER	NOMENCLATURE 1234567	EFF CODE	QTY PER ASSY
07-					
-1A	285T0659-28		PANEL ASSY-ABBREVIATED ATTENDANTS (P59)	X	RF
-1B	285T0659-34		PANEL ASSY-ABBREVIATED ATTENDANTS (P59)	AA	RF
R -1C	285T0659-32		PANEL ASSY-ABBREVIATED ATTENDANTS (P57)	AB	RF
R -1D	285T0659-33		PANEL ASSY-ABBREVIATED ATTENDANTS (P58)	AC	RF
5	NAS1801-08-4		.SCREW- (OPT ITEM 5A)	X,A A-AC	6
-5A	MS51957-41		.SCREW- (OPT ITEM 5)	X,A A-AC	6
10	MS35333-38		.WASHER- (OPT ITEM 10A)	X,A A-AC	6
-10A	MS35338-137		.WASHER- (OPT ITEM 10)	X,A A-AC	6
15	AN960PD8L		.WASHER- (OPT ITEM 15A)	X,A A-AC	6
-15A	NAS1149CN816R		.WASHER- (OPT ITEM 15)	X,A A-AC	6
20	MS21043-08		DELETED		
R 20A	MS21042L08		.NUT-LOCK	X,A A-AC	1
25	BACC10DK		.CLAMP- (SIZE DETERMINE ON INST)	X,A A-AC	1
-30	N2088		.PLUG- (V75345) (SPEC BACP20BA1) (OPT SZ7105 (V95272)) (OPT 4841 (V84914))	X,AA	1
35	417T6507-6		.SHROUD ASSY	X	1
-35A	417T6507-10		.SHROUD ASSY	AA-AC	1
40	SL6156-08		..STUD- (V97393)	X,A A-AC	1
45	417T6007-4		..HINGE	X,A A-AC	1
50	NAS1394-08		..INSERT- (OPT ITEMS 50A, 50B)	X	6
-50A	TNC2C0164		..INSERT- (V29372) (OPT ITEMS 50, 50B)	X	6

25-63-11

 ILLUSTRATED PARTS LIST
 01.1 Page 1077
 Jul 01/03


BOEING
 COMPONENT
 MAINTENANCE MANUAL

FIG. & ITEM	PART NO.	AIRLINE PART NUMBER	NOMENCLATURE 1234567	EFF CODE	QTY PER ASSY
07- -50B	1185-2CN0164		..INSERT- (V01556) (OPT ITEMS 50, 50A)	X	6
-50C 55	NAS1394-08 417T6014-16		..INSERT ..STIFFENER	AA-AC X,A A-AC	6 1
60	417T6005-4		..BRACKET ASSY-MTG	X,A A-AC	1
65	BACS21AP80R		...STUD- (OPT ITEM 65A)	X,A A-AC	1
-65A	82-99-341-08		...STUD- (V94222) (SPEC BACS21AP80RP) (OPT ITEM 65)	X,A A-AC	1
70	BACR12AG2C		...RING- (V94222) (SPEC BACR12AG2C)	X,A A-AC	1
75	417T6014-6		...BRACKET	X,A A-AC	1
80	417T6005-2		..BRACKET ASSY-MTG	X,A A-AC	1
85	BACS21AP80R		...STUD- (OPT ITEM 85A)	X,A A-AC	1
-85A	82-99-341-08		...STUD- (V94222) (SPEC BACS21AP80RP) (OPT ITEM 85)	X,A A-AC	1
90	BACR12AG2C		...RING- (V94222) (SPEC BACR12AG2C)	X,A A-AC	1
95	417T6014-3		...BRACKET	X,A A-AC	1

25-63-11

 ILLUSTRATED PARTS LIST
 01.1 Page 1078
 Jul 01/03



BOEING
COMPONENT
MAINTENANCE MANUAL

FIG. & ITEM	PART NO.	AIRLINE PART NUMBER	NOMENCLATURE 1234567	EFF CODE	QTY PER ASSY
07-					
100	417T6507-7		..SHROUD	X	1
-100A	417T6507-11		..SHROUD	AA-AC	1
105	285T0691-8		..WIRING ASSY-FACEPLATE	X	1
-105A	285T0691-3		..WIRING ASSY-FACEPLATE	AA	1
R -105B	285T0691-12		..WIRING ASSY-FACEPLATE	AB	1
R -105C	285T0691-13		..WIRING ASSY-FACEPLATE	AC	1
110	2100-3		..SWITCH-PUSHBUTTON, 2 POLE, ALT (V91929) (S1)	X,AA	1
115	2100-100		..LENS-WHITE, NO LEGEND (V91929)	X,AA	1
120	417T6012-7		..DECAL-SLIP IN, ATTND-L	X,AA	1
125	AML78CB001		..PLUG-SQUARE (V91929)	X,A A-AC	11
R 127	AML78CB001		..PLUG-SQUARE (V91929)	AB,AC	1
130	417T6012-3		..DECAL-SLIP IN, NO LEGEND	X,A A-AC	11
R 132	417T6012-3		..DECAL-SLIP IN, NO LEGEND	AB,AC	1
135	BACC45FT10B5P		..CONNECTOR- (P1)	X,AA	1
-140	60729-1		..TERMINAL-POKE ON (V00779) (OPT ITEMS 140A, 140B)	X	AR
-140A	61048-1		..TERMINAL-POKE ON (V00779) (OPT ITEMS 140, 140B)	X	AR
-140B	61060-1		..TERMINAL-POKE ON (V00779) (OPT ITEMS 140, 140A)	X	AR
-140C	60729-1		..TERMINAL-POKE ON (V00779) (OPT ITEM 140D)	AA	AR
-140D	61048-1		..TERMINAL-POKE ON (V00779) (OPT ITEM 140C)	AA	AR

25-63-11

ILLUSTRATED PARTS LIST
01.1 Page 1079
Jul 01/03



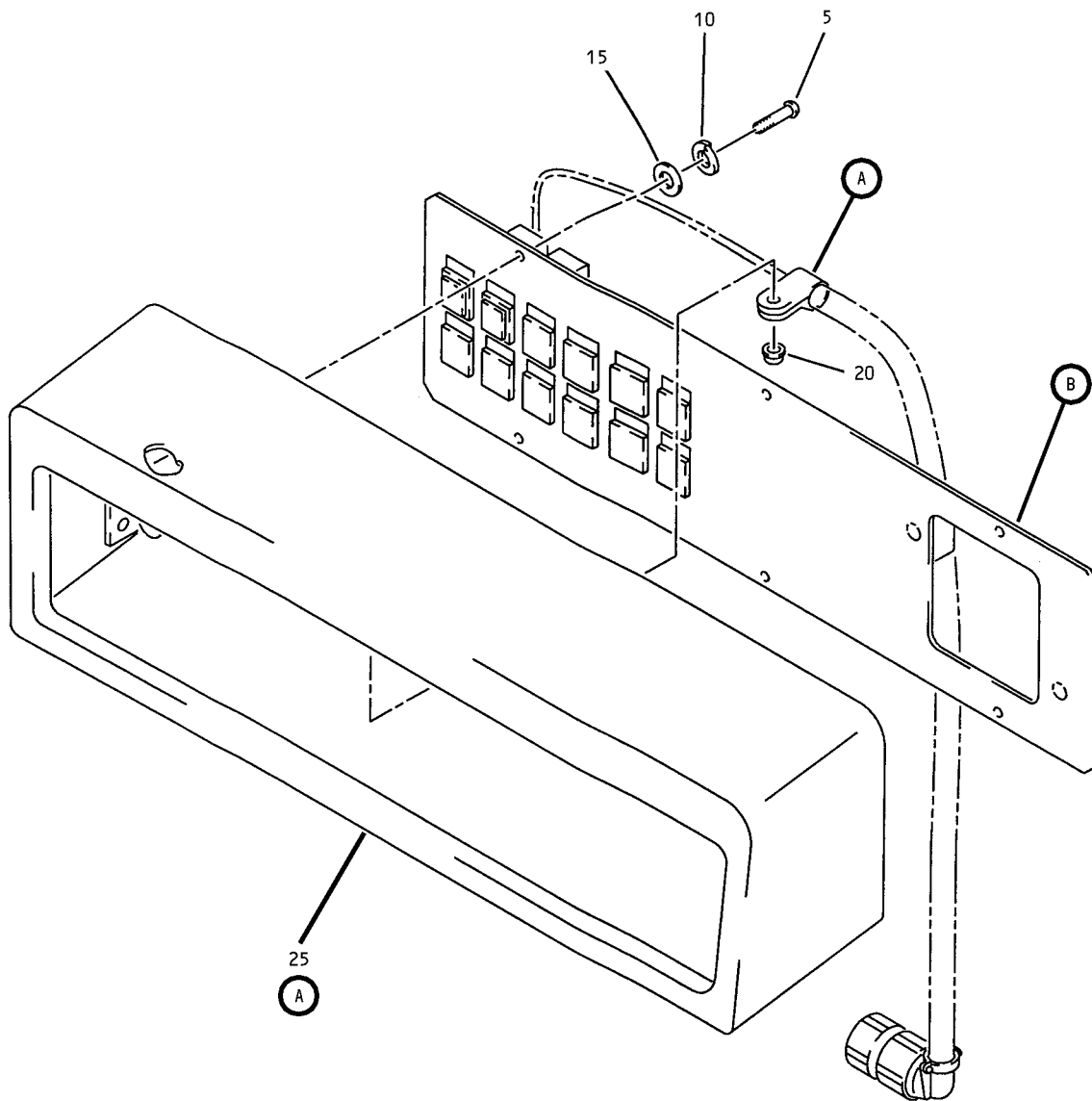
BOEING
COMPONENT
MAINTENANCE MANUAL

FIG. & ITEM	PART NO.	AIRLINE PART NUMBER	NOMENCLATURE 1234567	EFF CODE	QTY PER ASSY
07- -145	640929-1		..TERMINAL-POKE ON (V00779)	X,AA	AR
150	285T1211-1		..FACEPLATE ASSY	X	1
-150A	417T6509-1		..FACEPLATE ASSY	AA-AC	1
155	417T6017-2		...BRACKET ASSY-MTG	X,A A-AC	2
156	BACR15BA3	RIVET- (SIZE DETERMINE ON INST)	X,A A-AC	2
157	82-99-342-15	RECEPTACLE- (V94222) (SPEC BACR11AM2) (OPT 2-295 (V94222))	X,A A-AC	1
158	417T6017-3	BRACKET	X,A A-AC	1
160	BAC27TPPS4102		..MARKER-ALUMINUM FOIL, M884 EM. EVAC	X,AA	1
R -160A	BAC27TPPS4099		..MARKER-ALUMINUM FOIL, M881 EM. EVAC	AB	1
R -160B	BAC27TPPS4101		..MARKER-ALUMINUM FOIL, M883 EM. EVAC	AC	1

- Item Not Illustrated

25-63-11

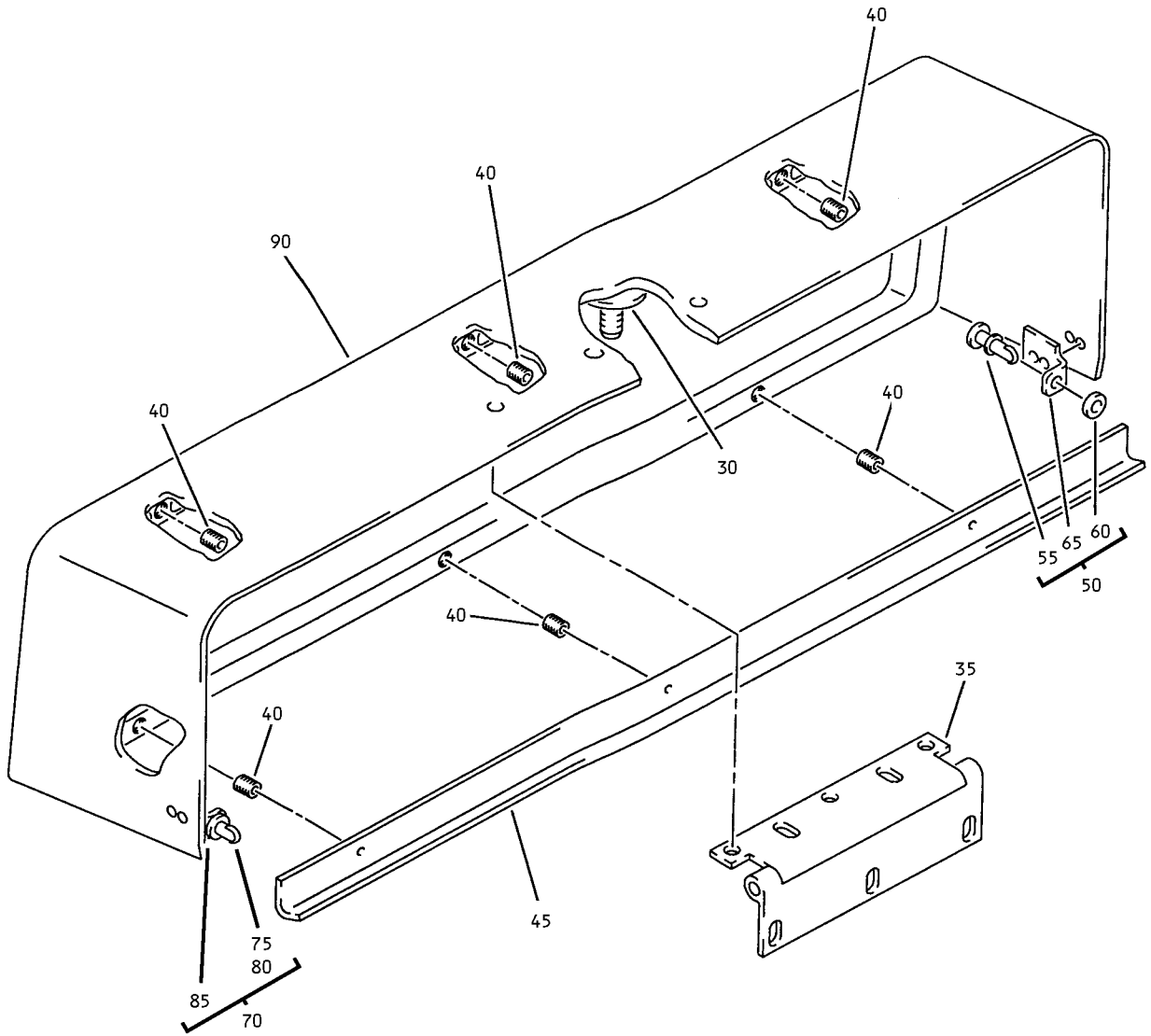
ILLUSTRATED PARTS LIST
01.1 Page 1080
Jul 01/03



Abbreviated Attendant's Panel
Figure 8 (Sheet 1)

25-63-11

ILLUSTRATED PARTS LIST
01.1 Page 1080A
Jul 01/03



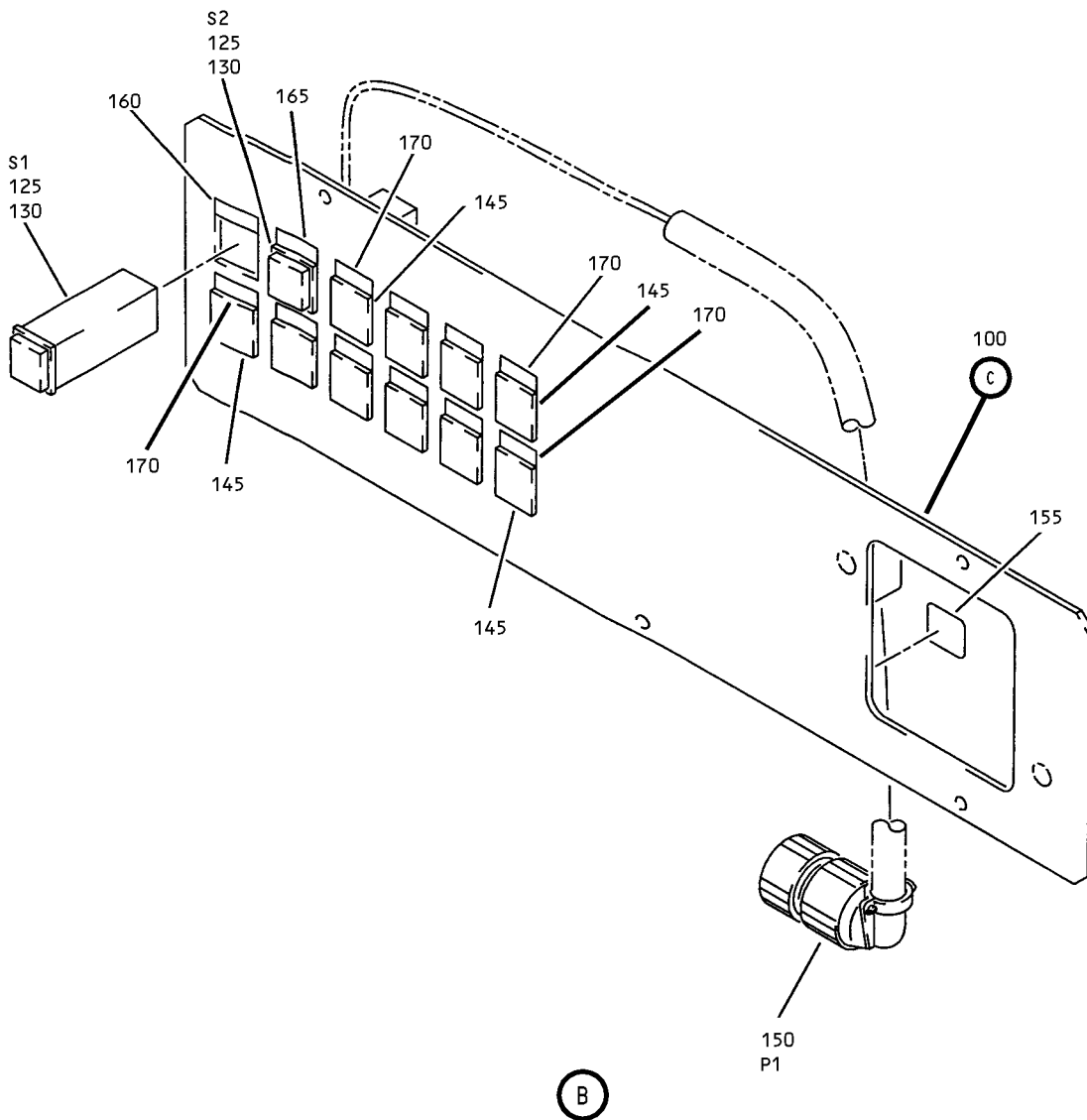
(A)

Abbreviated Attendant's Panel
 Figure 8 (Sheet 2)

25-63-11

ILLUSTRATED PARTS LIST
 01.1 Page 1080B
 Jul 01/03

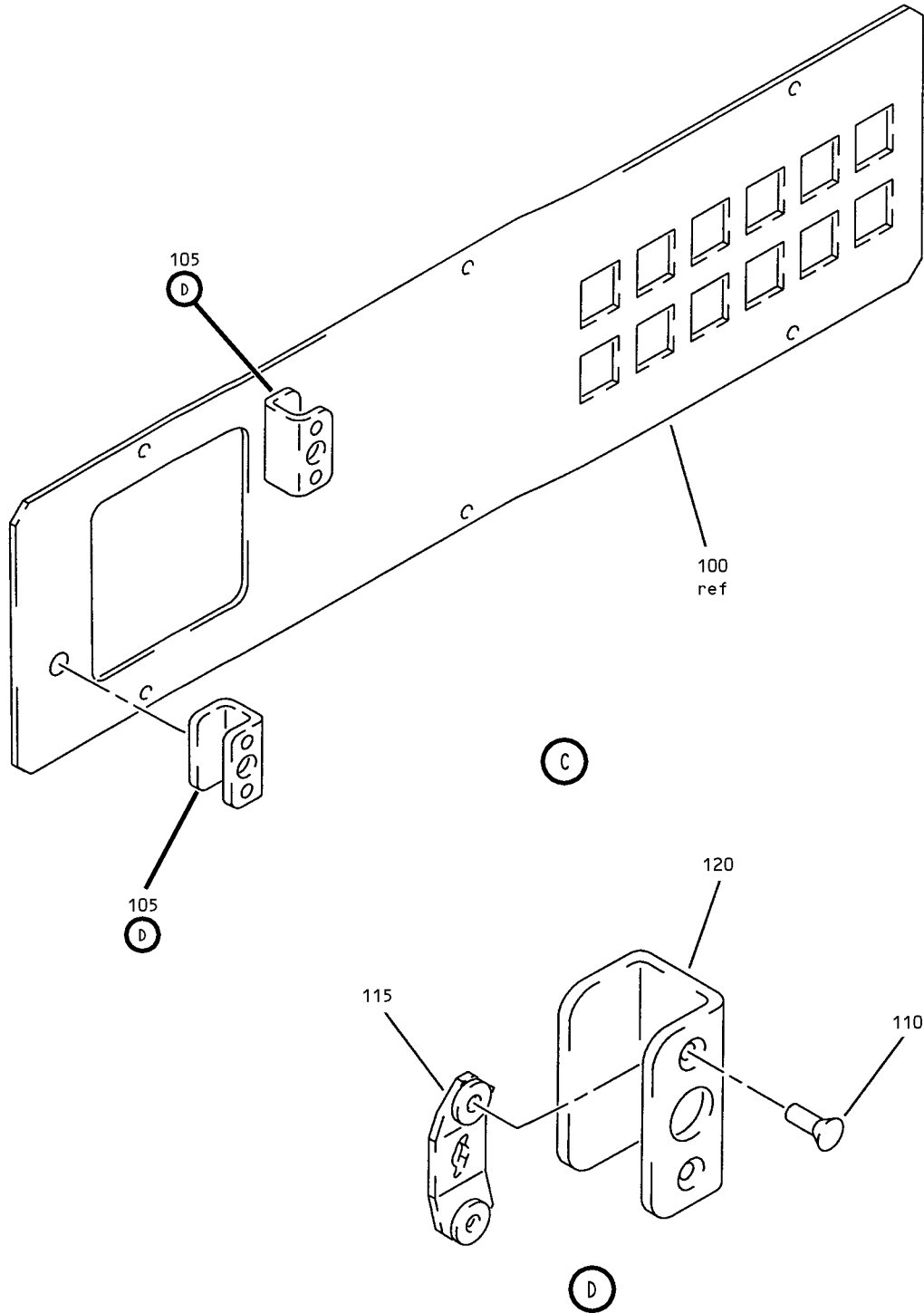
1688740



Abbreviated Attendant's Panel
 Figure 8 (Sheet 3)

25-63-11

ILLUSTRATED PARTS LIST
 01.1 Page 1080C
 Jul 01/03



Abbreviated Attendant's Panel
 Figure 8 (Sheet 4)

25-63-11

ILLUSTRATED PARTS LIST
 01.1 Page 1080D
 Jul 01/03


BOEING
 COMPONENT
 MAINTENANCE MANUAL

FIG. & ITEM	PART NO.	AIRLINE PART NUMBER	NOMENCLATURE 1234567	EFF CODE	QTY PER ASSY
R 08-1A	285T0659-38		PANEL ASSY-ABBREVIATED ATTENDANTS	AF	RF
R -1B	285T0659-39		PANEL ASSY-ABBREVIATED ATTENDANTS	AG	RF
R -1C	285T0659-40		PANEL ASSY-ABBREVIATED ATTENDANTS	AH	RF
R -1D	285T0659-41		PANEL ASSY-ABBREVIATED ATTENDANTS	AJ	RF
R 5	MS51957-41		. SCREW	AF-AJ	6
R 10	BACW10EC08C		. WASHER	AF-AJ	6
R 15	NAS1149CN816R		. WASHER	AF-AJ	6
R 20	BRH10C08		. NUT- (V52828) (SPEC BACN10JC08C) (OPT T6C832J (V11815)) (OPT 97-82 (V80539)) (OPT 101LH9075-82W (V72962)) (OPT VN303B82 (V92215)) (OPT NS202101S82 (V80539)) (OPT H31-08BAC (V15653))	AF-AJ	1
R 25	417T6507-6		. SHROUD ASSY	AF-AJ	1
R 30	SL6156-08		.. STUD- (V97393)	AF-AJ	1
R 35	417T6007-4		.. HINGE	AF-AJ	1
R 40	NAS1394-08		.. INSERT	AF-AJ	6

25-63-11

 ILLUSTRATED PARTS LIST
 01.1 Page 1080E
 Jul 01/03



BOEING
COMPONENT
MAINTENANCE MANUAL

FIG. & ITEM	PART NO.	AIRLINE PART NUMBER	NOMENCLATURE 1234567	EFF CODE	QTY PER ASSY
R 08-40A	TNC2C0164		..INSERT- (V29372)	AF-AJ	6
R -40B	1185-2CN0164		..INSERT- (V01556)	AF-AJ	6
R 45	417T6014-16		..STIFFENER	AF-AJ	1
R 50	417T6005-4		..BRACKET ASSY-MTG	AF-AJ	1
R 55	BACS21AP80R		...STUD- (OPT ITEM 55A)	AF-AJ	1
R -55A	82-99-341-08		...STUD- (V94222) (SPEC BACS21AP80RP) (OPT ITEM 55)	AF-AJ	1
R 60	BACR12AG2C		...RING- (V94222) (SPEC BACR12AG2C)	AF-AJ	1
R 65	417T6014-6		...BRACKET	AF-AJ	1
R 70	417T6005-2		..BRACKET ASSY-MTG	AF-AJ	1
R 75	BACS21AP80R		...STUD- (OPT ITEM 75A)	AF-AJ	1
R -75A	82-99-341-08		...STUD- (V94222) (SPEC BACS21AP80RP) (OPT ITEM 75)	AF-AJ	1
R 80	BACR12AG2C		...RING- (V94222) (SPEC BACR12AG2C)	AF-AJ	1
R 85	417T6014-3		...BRACKET	AF-AJ	1
R 90	417T6507-7		..SHROUD	AF-AJ	1
R 95	BACC10DK3		.CLAMP	AF-AJ	1
R 100	285T1225-1		.FACEPLATE ASSY	AF-AJ	1
R 105	417T6017-2		..BRACKET ASSY-MTG	AF-AJ	2
R 110	BACR15BA3AD		...RIVET- (SIZE DETERMINE ON INST)	AF-AJ	2

25-63-11

ILLUSTRATED PARTS LIST
01.1 Page 1080F
Jul 01/03

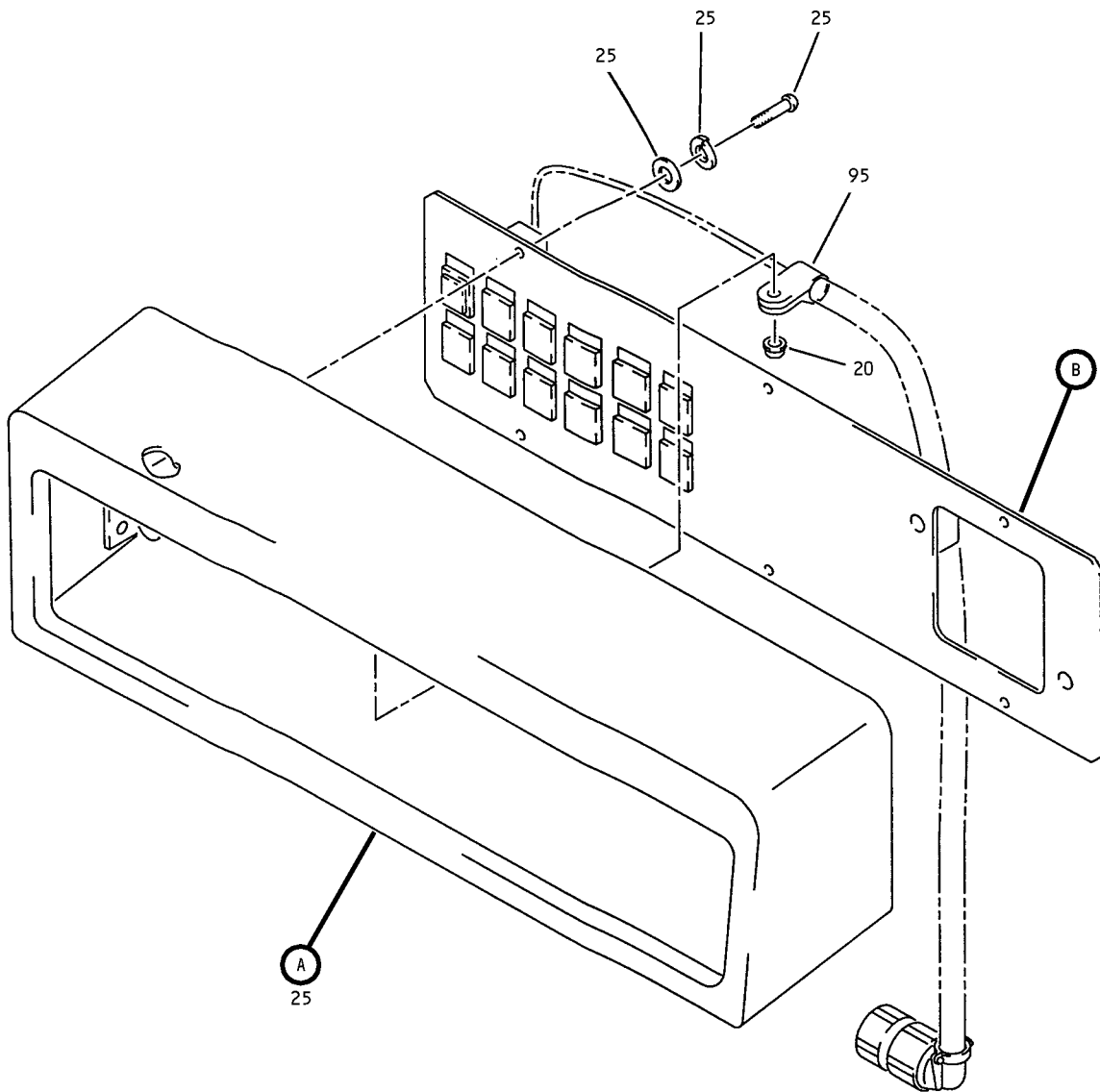

BOEING
 COMPONENT
 MAINTENANCE MANUAL

FIG. & ITEM	PART NO.	AIRLINE PART NUMBER	NOMENCLATURE 1234567	EFF CODE	QTY PER ASSY
R 08-115	82-99-342-15		...RECEPTACLE- (V94222) (SPEC BACR11AM2) (OPT 2-295 (V94222))	AF-AJ	1
R 120	417T6017-3		...BRACKET	AF-AJ	1
R 125	2100-3		.SWITCH-2 POLE ALT (V91929) (S1, S2)	AF-AJ	2
R 130	2100-272		.LENS-SMOKE, WHITE INSERT, NO LEGEND (V91929)	AF-AJ	2
R -135	61060-1		.TERMINAL-POKE ON (V00779)	AF-AJ	AR
R -140	640929-1		.TERMINAL-POKE ON (V00779)	AF-AJ	AR
R 145	AML78CB001		.PLUG-SQUARE (V91929)	AF-AJ	10
R 150	BACC45FT10B5P		.CONNECTOR- (P1)	AF-AJ	1
R 155	BAC27TPPS4099		.MARKER-ALUMINUM FOIL, M881 EM.EVAC	AF	1
R -155A	BAC27TPPS4102		.MARKER-ALUMINUM FOIL, M884 EM.EVAC	AG	1
R -155B	BAC27TPPS5173		.MARKER-ALUMINUM FOIL, M1220 EM.EVAC	AH	1
R -155C	BAC27TPPS4101		.MARKER-ALUMINUM FOIL, M883 EM.EVAC	AJ	1
R 160	417T6012-9		.DECAL-SLIP IN, ATTND - R	AF	1
R -160A	417T6012-19		.DECAL-SLIP IN, ATTND - C	AG	1
R -160B	417T6012-45		.DECAL-SLIP IN, ATTND - L1	AH	1
R 165	417T6012-7		.DECAL-SLIP IN, ATTND - L	AF	1
R -165A	417T6012-9		.DECAL-SLIP IN, ATTND - R	AG	1
R -165B	417T6012-47		.DECAL-SLIP IN, ATTND - L2	AH	1
R -165C	417T6012-43		.DECAL-SLIP IN, FWD/AFT PRIORITY	AJ	1
R 170	417T6012-3		.DECAL-SLIP IN, NO LEGEND	AF-AH	10

- Item Not Illustrated

25-63-11

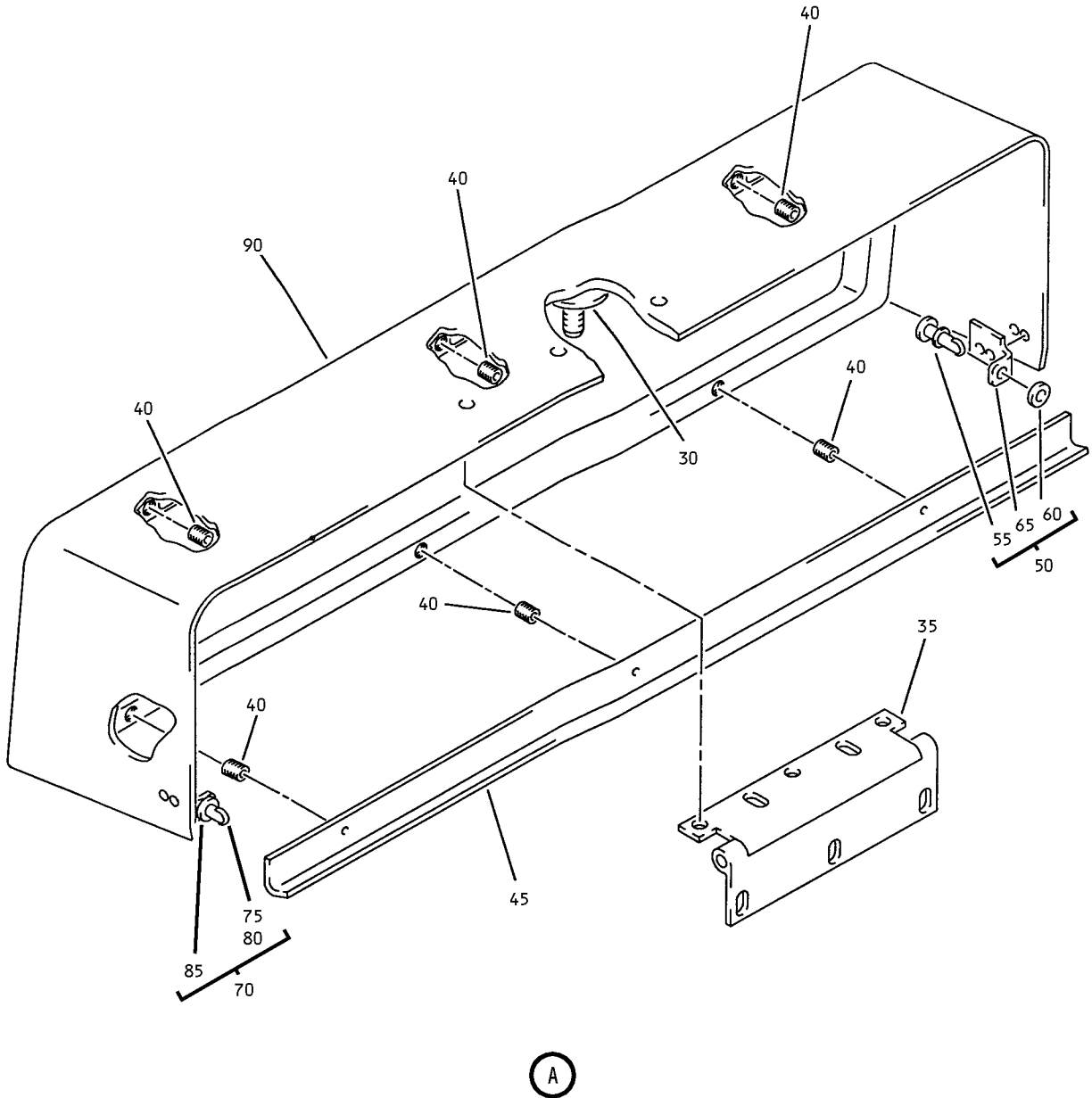
ILLUSTRATED PARTS LIST
 01.1 Page 1080G
 Jul 01/03



Abbreviated Attendant's Panel
Figure 9 (Sheet 1)

25-63-11

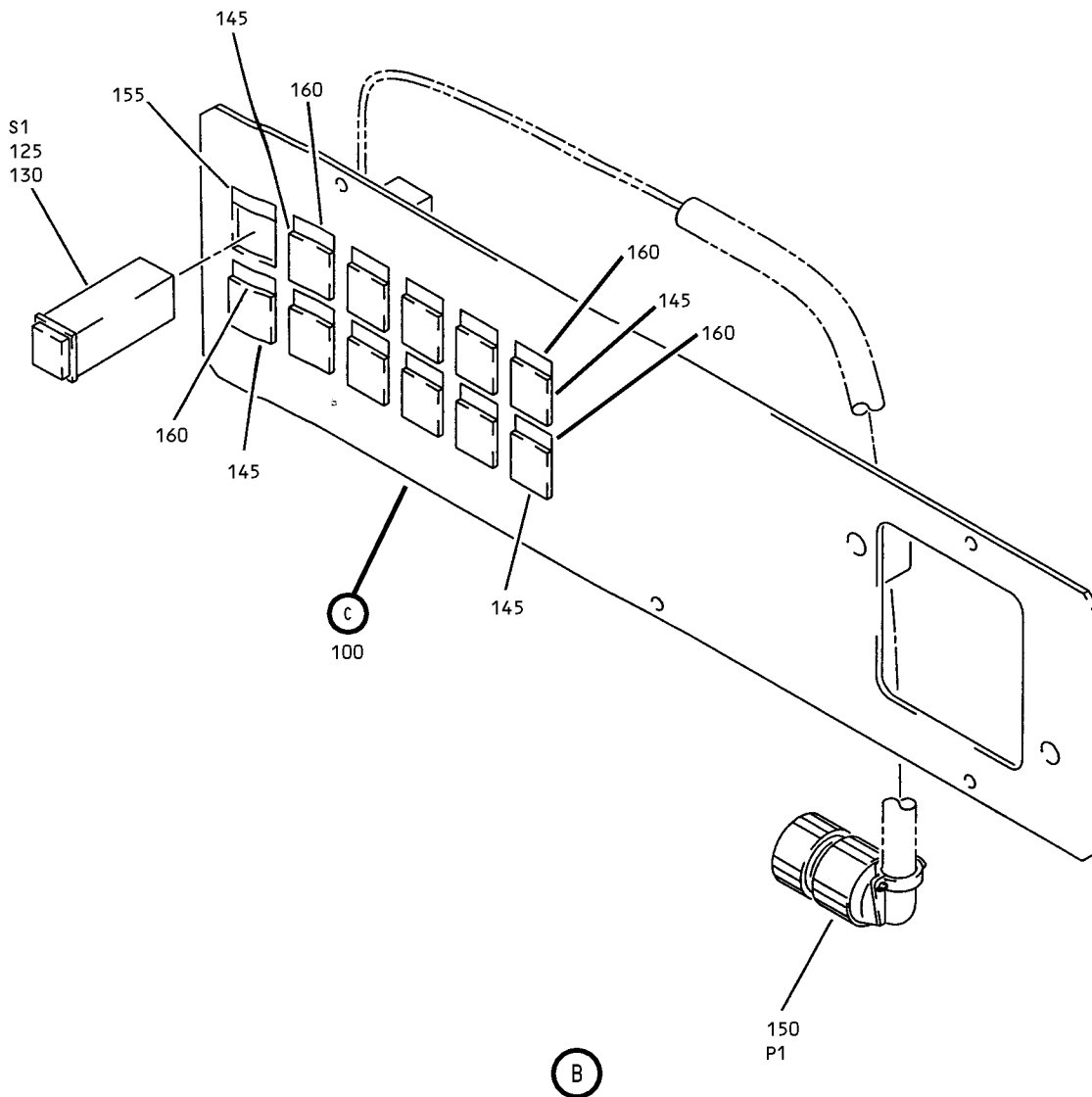
ILLUSTRATED PARTS LIST
01.1 Page 1080I
Jul 01/03



Abbreviated Attendant's Panel
 Figure 9 (Sheet 2)

25-63-11

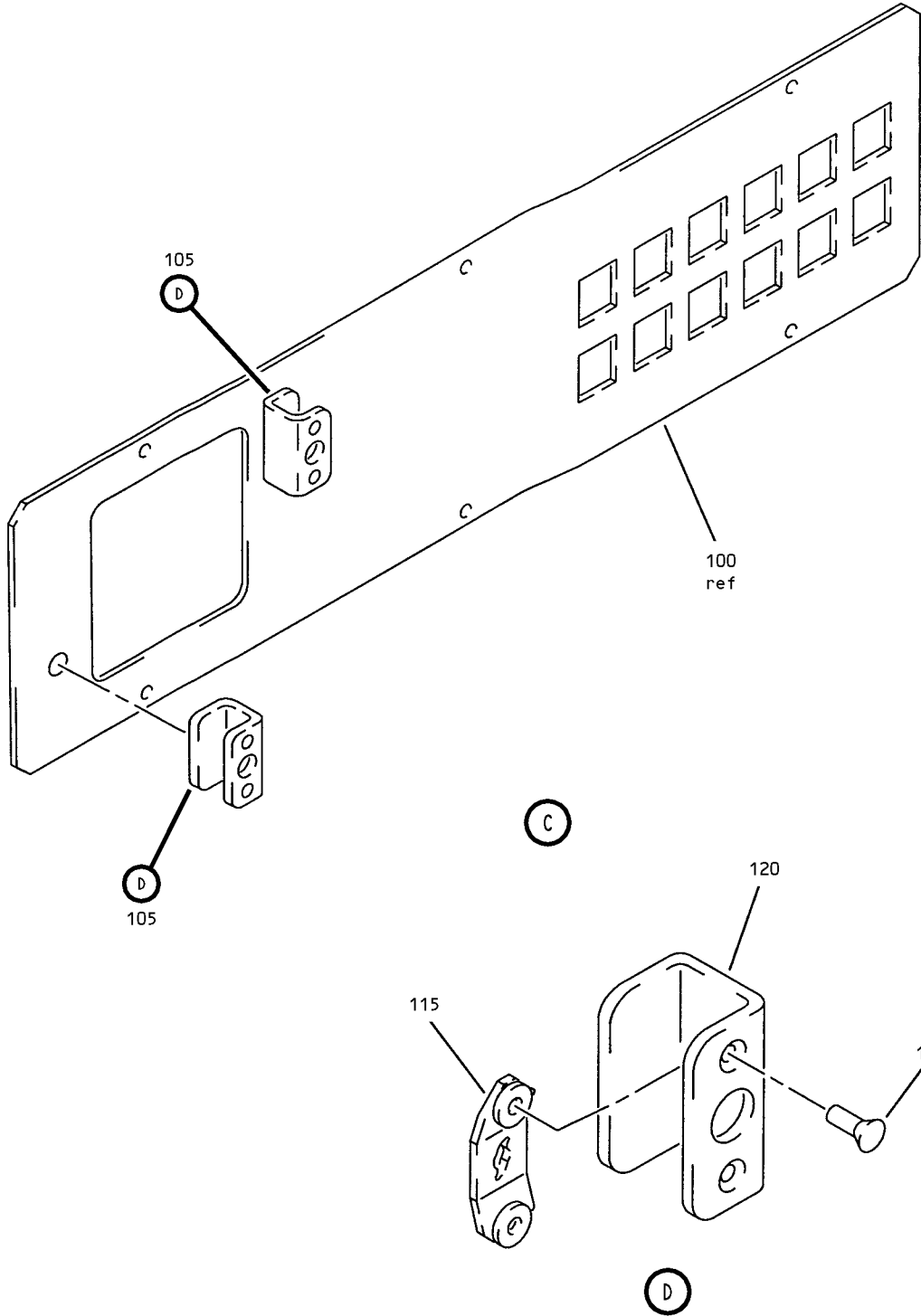
ILLUSTRATED PARTS LIST
 01.1 Page 1080J
 Jul 01/03



Abbreviated Attendant's Panel
 Figure 9 (Sheet 3)

25-63-11

ILLUSTRATED PARTS LIST
 01.1 Page 1080K
 Jul 01/03



Abbreviated Attendant's Panel
 Figure 9 (Sheet 4)

25-63-11

ILLUSTRATED PARTS LIST
 01.1 Page 1080L
 Jul 01/03



BOEING
COMPONENT
MAINTENANCE MANUAL

FIG. & ITEM	PART NO.	AIRLINE PART NUMBER	NOMENCLATURE 1234567	EFF CODE	QTY PER ASSY
R 09-1A	285T0659-42		PANEL ASSY-ABBREVIATED ATTENDANTS	AK	RF
R -1B	285T0659-46		PANEL ASSY-ABBREVIATED ATTENDANTS	AP	RF
R -1C	285T0659-49		PANEL ASSY-ABBREVIATED ATTENDANTS	AS	RF
R 5	MS51957-41		. SCREW	AK, AP, AS	6
R 10	BACW10EC08C		. WASHER	AK, AP, AS	6
R 15	NAS1149CN816R		. WASHER	AK, AP, AS	6
R 20	BRH10C08		. NUT- (V52828) (SPEC BACN10JC08C) (OPT T6C832J (V11815)) (OPT 97-82 (V80539)) (OPT 101LH9075-82W (V72962)) (OPT VN303B82 (V92215)) (OPT NS202101S82 (V80539)) (OPT H31-08BAC (V15653))	AK, AP, AS	1
R 25	417T6507-12		. SHROUD ASSY	AK	1
R -25A	417T6507-8		. SHROUD ASSY	AP, AS	1
R 30	SL6156-08		.. STUD- (V97393)	AK, AP, AS	1
R 35	417T6007-4		.. HINGE	AK, AP, AS	1

25-63-11

ILLUSTRATED PARTS LIST
01.1 Page 1080M
Jul 01/03


BOEING
 COMPONENT
 MAINTENANCE MANUAL

FIG. & ITEM	PART NO.	AIRLINE PART NUMBER	NOMENCLATURE 1234567	EFF CODE	QTY PER ASSY
R 09-40	NAS1394-08		..INSERT	AK,AP ,AS	6
R 45	417T6014-16		..STIFFENER	AK,AP ,AS	1
R 50	417T6005-4		..BRACKET ASSY-MTG	AK,AP ,AS	1
R 55	BACS21AP80R		...STUD- (OPT ITEM 55A)	AK,AP ,AS	1
R -55A	82-99-341-08		...STUD- (V94222) (SPEC BACS21AP80RP) (OPT ITEM 55)	AK,AP ,AS	1
R 60	BACR12AG2C		...RING- (V94222) (SPEC BACR12AG2C)	AK,AP ,AS	1
R 65	417T6014-6		...BRACKET	AK,AP ,AS	1
R 70	417T6005-2		..BRACKET ASSY-MTG	AK,AP ,AS	1
R 75	BACS21AP80R		...STUD- (OPT ITEM 75A)	AK,AP ,AS	1
R -75A	82-99-341-08		...STUD- (V94222) (SPEC BACS21AP80RP) (OPT ITEM 75)	AK,AP ,AS	1
R 80	BACR12AG2C		...RING- (V94222) (SPEC BACR12AG2C)	AK,AP ,AS	1
R 85	417T6014-3		...BRACKET	AK,AP ,AS	1

25-63-11

 ILLUSTRATED PARTS LIST
 01.1 Page 1080N
 Jul 01/03

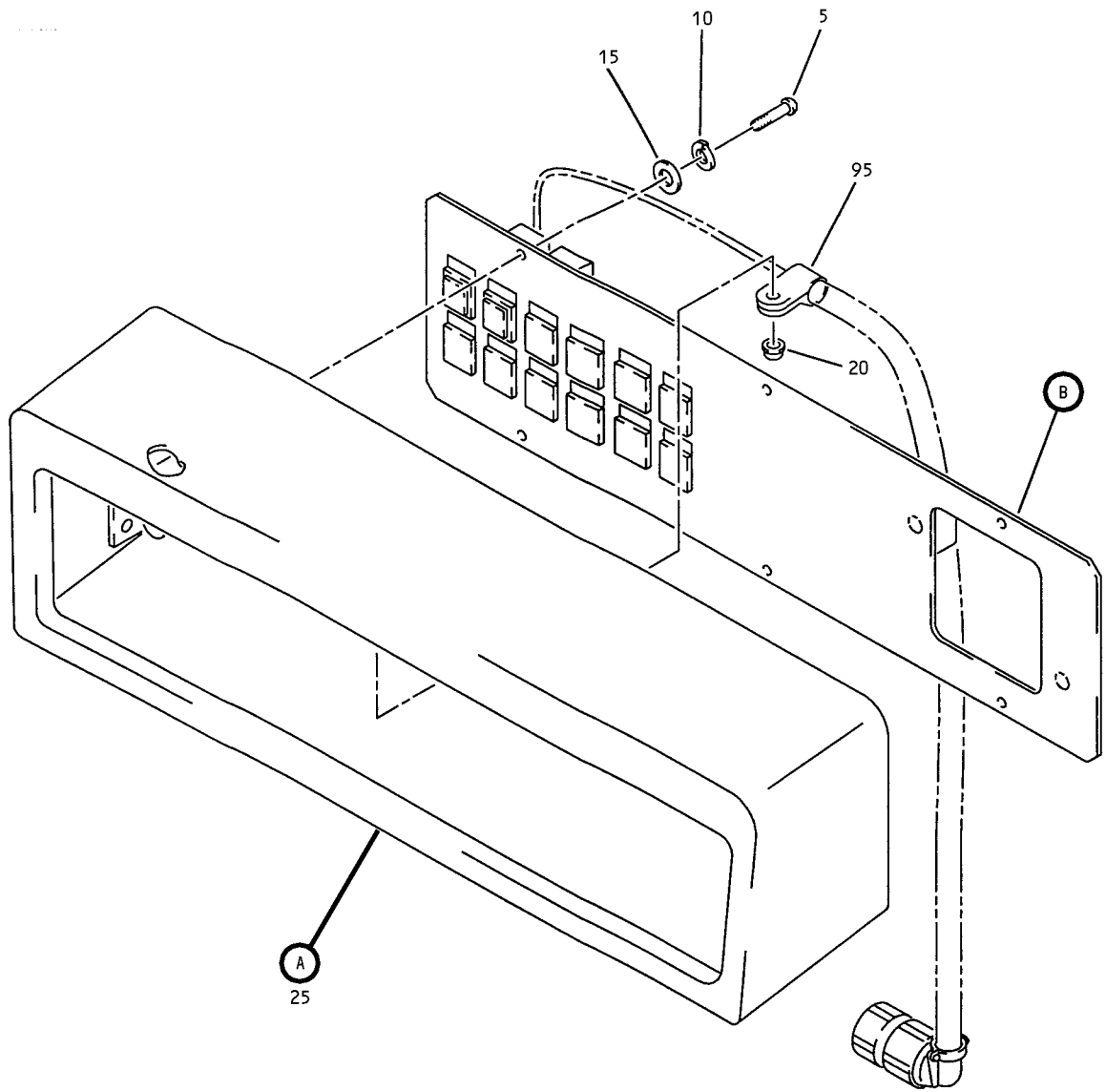

BOEING
 COMPONENT
 MAINTENANCE MANUAL

FIG. & ITEM	PART NO.	AIRLINE PART NUMBER	NOMENCLATURE 1234567	EFF CODE	QTY PER ASSY
R 09-					
R 90	417T6507-13		..SHROUD	AK	1
R -90A	417T6507-9		..SHROUD	AP,AS	1
R 95	BACC10DK3		.CLAMP	AK,AP	1
R 100	285T1225-1		.FACEPLATE ASSY	,AS AK,AP	1
R 105	417T6017-2		..BRACKET ASSY-MTG	,AS AK,AP	2
R 110	BACR15BA3AD		...RIVET-	AK,AP	2
R 115	82-99-342-15		(SIZE DETERMINE ON INST)	,AS	
			...RECEPTACLE-	AK,AP	1
			(V94222)	,AS	
			(SPEC BACR11AM2)		
			(OPT 2-295		
			(V94222))		
R 120	417T6017-3		...BRACKET	AK,AP	1
R 125	2100-3		.SWITCH-2 POLE ALT	,AS AK,AP	1
			(V91929)	,AS	
			(S1)		
R 130	2100-272		.LENS-SMOKE, WHITE INSERT,	AK,AP	1
			NO LEGEND	,AS	
			(V91929)		
R -135	61060-1		.TERMINAL-POKE ON	AK,AP	AR
			(V00779)	,AS	
R -140	640929-1		.TERMINAL-POKE ON	AK,AP	AR
			(V00779)	,AS	
R 145	AML78CB001		.PLUG-SQUARE	AK,AP	11
			(V91929)	,AS	
R 150	BACC45FT10B5P		.CONNECTOR-	AK,AP	1
			(P1)	,AS	
R 155	417T6012-7		.DECAL-SLIP IN, ATTND - L	AK,AP	1
				,AS	
R 160	417T6012-3		.DECAL-SLIP IN, NO LEGEND	AK,AP	11
				,AS	

- Item Not Illustrated

25-63-11

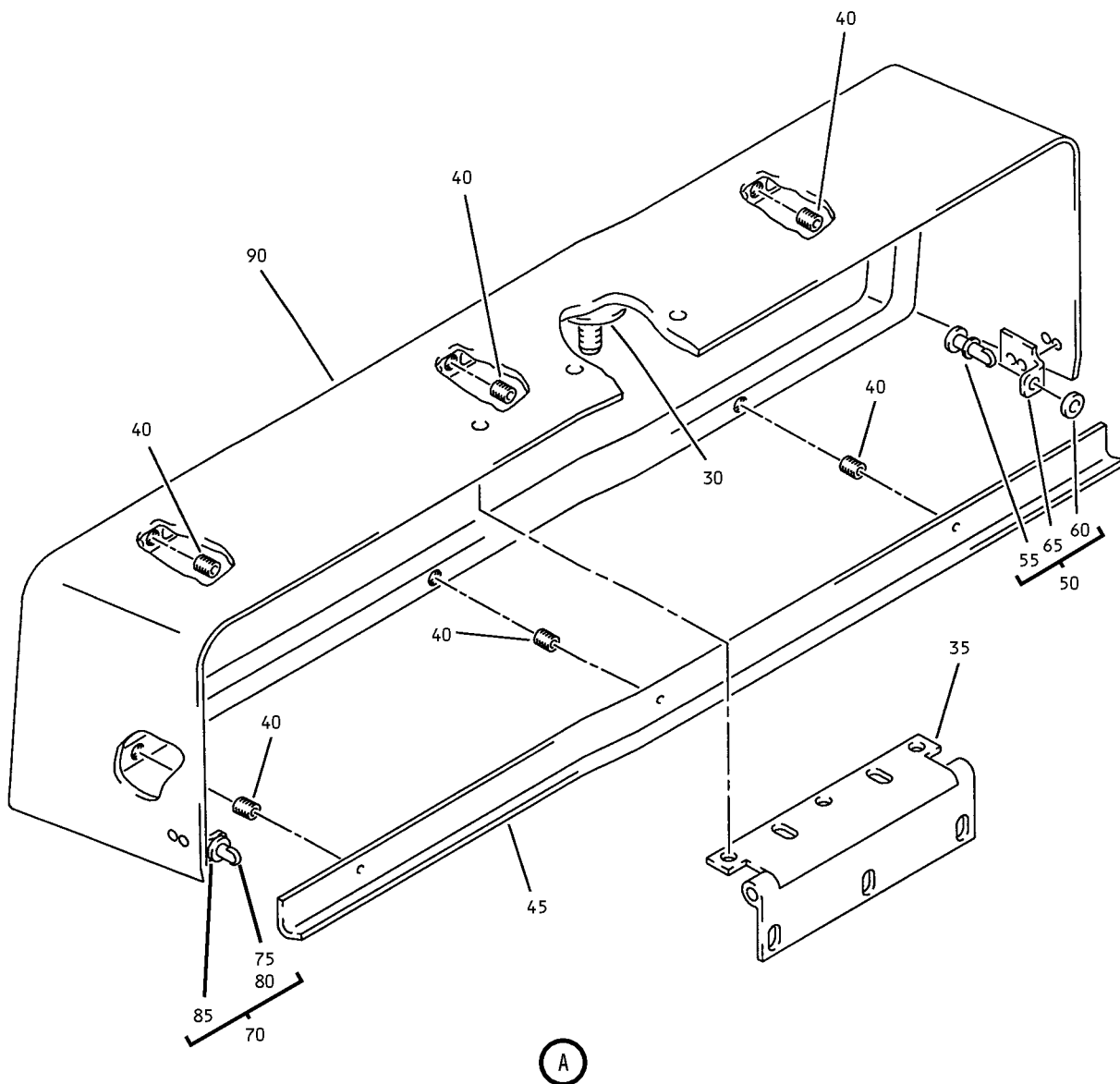
ILLUSTRATED PARTS LIST
 01.1 Page 10800
 Jul 01/03



Abbreviated Attendant's Panel
Figure 10 (Sheet 1)

25-63-11

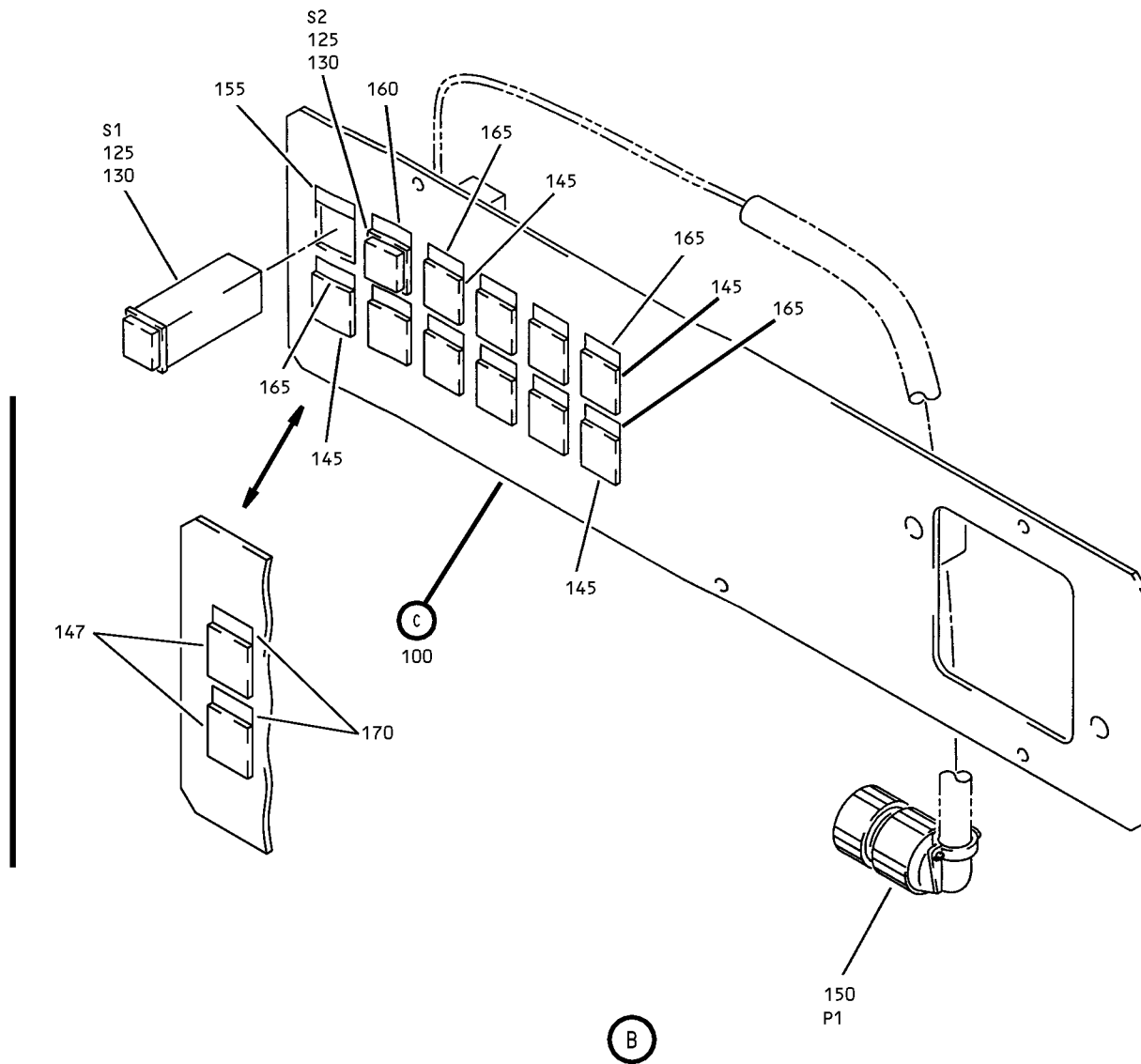
ILLUSTRATED PARTS LIST
01.1 Page 1080Q
Jul 01/03



Abbreviated Attendant's Panel
 Figure 10 (Sheet 2)

25-63-11

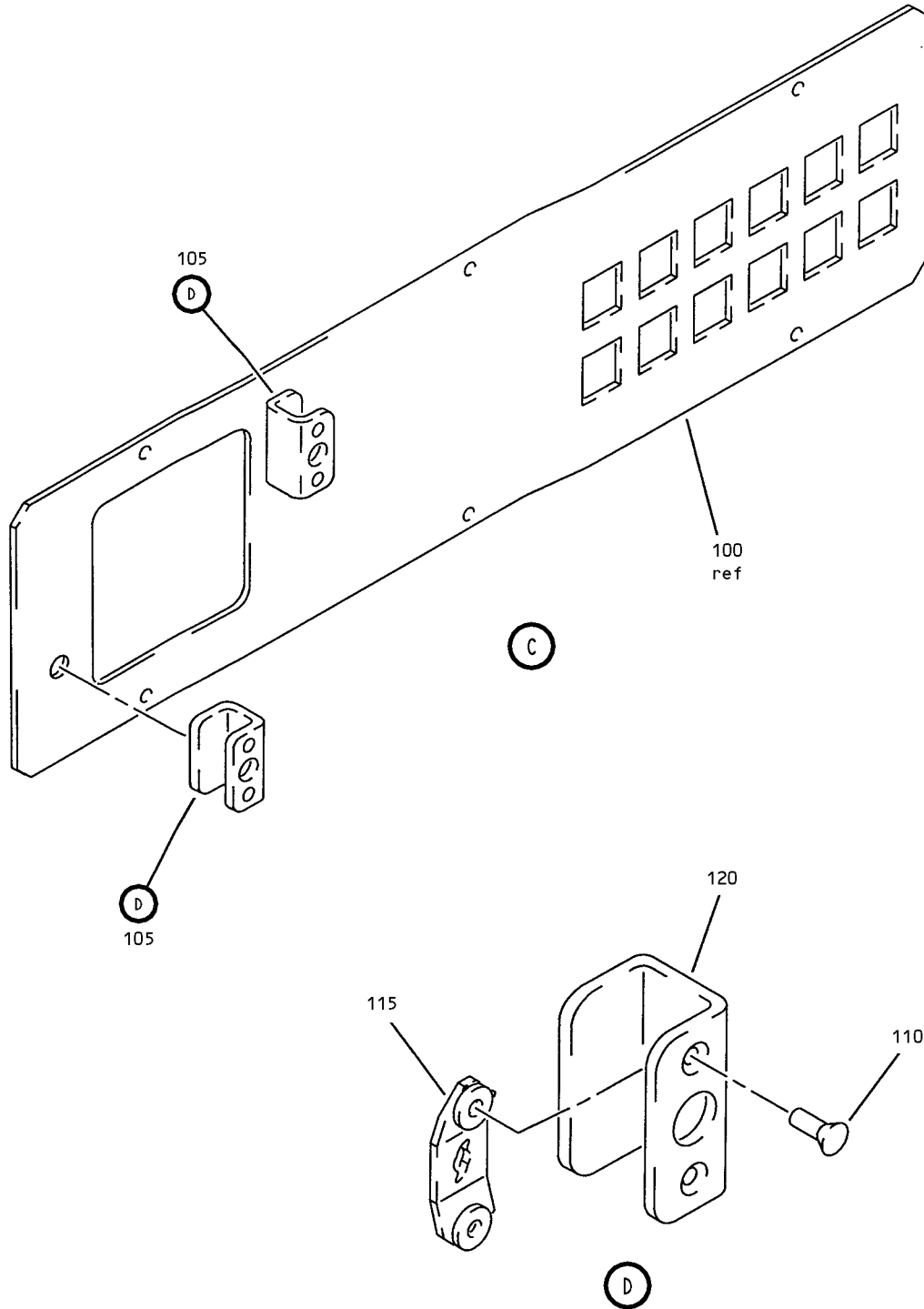
ILLUSTRATED PARTS LIST
 01.1 Page 1080R
 Jul 01/03



Abbreviated Attendant's Panel
 Figure 10 (Sheet 3)

25-63-11

ILLUSTRATED PARTS LIST
 01.1 Page 1080S
 Jul 01/03



Abbreviated Attendant's Panel
 Figure 10 (Sheet 4)

25-63-11

ILLUSTRATED PARTS LIST
 01.1 Page 1080T
 Jul 01/03



BOEING
COMPONENT
MAINTENANCE MANUAL

FIG. & ITEM	PART NO.	AIRLINE PART NUMBER	NOMENCLATURE 1234567	EFF CODE	QTY PER ASSY
R 10-1A	285T0659-43		PANEL ASSY-ABBREVIATED ATTENDANTS	AL	RF
R 10-1B	285T0659-44		PANEL ASSY-ABBREVIATED ATTENDANTS	AM	RF
R 10-1C	285T0659-45		PANEL ASSY-ABBREVIATED ATTENDANTS	AN	RF
R 10-1D	285T0659-47		PANEL ASSY-ABBREVIATED ATTENDANTS	AQ	RF
R 10-1E	285T0659-48		PANEL ASSY-ABBREVIATED ATTENDANTS	AR	RF
R 5	MS51957-41		. SCREW	AL-AN ,AR	6
R -5A	MS51957-43		. SCREW	AQ	6
R 10	BACW10EC08C		. WASHER	AL-AN ,AQ,A R	6
R 15	NAS1149CN816R		. WASHER	AL-AN ,AQ,A R	6
R 20	BRH10C08		. NUT- (V52828) (SPEC BACN10JC08C) (OPT T6C832J (V11815)) (OPT 97-82 (V80539)) (OPT 101LH9075-82W (V72962)) (OPT VN303B82 (V92215)) (OPT NS202101S82 (V80539)) (OPT H31-08BAC (V15653))	AL-AN ,AQ,A R	1
R 25	417T6507-12		. SHROUD ASSY	AL,AM	1
R -25A	417T6507-8		. SHROUD ASSY	AN,AQ ,AR	1
R 30	SL6156-08		. . STUD- (V97393)	AL-AN ,AQ,A R	1

25-63-11

ILLUSTRATED PARTS LIST
01.1 Page 1080U
Jul 01/03



BOEING
COMPONENT
MAINTENANCE MANUAL

FIG. & ITEM	PART NO.	AIRLINE PART NUMBER	NOMENCLATURE 1234567	EFF CODE	QTY PER ASSY
R 10-35	417T6007-4		..HINGE	AL-AN ,AQ,A R	1
R 40	NAS1394-08		..INSERT	AL-AN ,AQ,A R	6
R 45	417T6014-16		..STIFFENER	AL-AN ,AQ,A R	1
R 50	417T6005-4		..BRACKET ASSY-MTG	AL-AN ,AQ,A R	1
R 55	BACS21AP80R		...STUD- (OPT ITEM 55A)	AL-AN ,AQ,A R	1
R -55A	82-99-341-08		...STUD- (V94222) (SPEC BACS21AP80RP) (OPT ITEM 55)	AL-AN ,AQ,A R	1
R 60	BACR12AG2C		...RING- (V94222) (SPEC BACR12AG2C)	AL-AN ,AQ,A R	1
R 65	417T6014-6		...BRACKET	AL-AN ,AQ,A R	1
R 70	417T6005-2		..BRACKET ASSY-MTG	AL-AN ,AQ,A R	1
R 75	BACS21AP80R		...STUD- (OPT ITEM 75A)	AL-AN ,AQ,A R	1

25-63-11

ILLUSTRATED PARTS LIST
01.1 Page 1080V
Jul 01/03


BOEING
 COMPONENT
 MAINTENANCE MANUAL

FIG. & ITEM	PART NO.	AIRLINE PART NUMBER	NOMENCLATURE 1234567	EFF CODE	QTY PER ASSY
R 10-75A	82-99-341-08		...STUD- (V94222) (SPEC BACS21AP80RP) (OPT ITEM 75)	AL-AN ,AQ,A R	1
R 80	BACR12AG2C		...RING- (V94222) (SPEC BACR12AG2C)	AL-AN ,AQ,A R	1
R 85	417T6014-3		...BRACKET	AL-AN ,AQ,A R	1
R 90	417T6507-13		..SHROUD	AL,AM	1
R -90A	417T6507-9		..SHROUD	AN,AQ ,AR	1
R 95	BACC10DK3		.CLAMP	AL-AN ,AQ,A R	1
R 100	285T1225-1		.FACEPLATE ASSY	AL-AN ,AQ,A R	1
R 105	417T6017-2		..BRACKET ASSY-MTG	AL-AN ,AQ,A R	2
R 110	BACR15BA3AD		...RIVET- (SIZE DETERMINE ON INST)	AL-AN ,AQ,A R	2
R 115	82-99-342-15		...RECEPTACLE- (V94222) (SPEC BACR11AM2) (OPT 2-295 (V94222))	AL-AN ,AQ,A R	1

25-63-11

 ILLUSTRATED PARTS LIST
 01.1 Page 1080W
 Jul 01/03



BOEING
COMPONENT
MAINTENANCE MANUAL

FIG. & ITEM	PART NO.	AIRLINE PART NUMBER	NOMENCLATURE 1234567	EFF CODE	QTY PER ASSY
R 10-120	417T6017-3		...BRACKET	AL-AN ,AQ,A R	1
R 125	2100-3		.SWITCH-2 POLE ALT (V91929) (S1, S2)	AL-AN ,AR	2
R 130	2100-272		.LENS-SMOKE, WHITE INSERT, NO LEGEND (V91929)	AL-AN ,AR	2
R -135	61060-1		.TERMINAL-POKE ON (V00779)	AL-AN ,AR	AR
R -140	640929-1		.TERMINAL-POKE ON (V00779)	AL-AN ,AR	AR
R 145	AML78CB001		.PLUG-SQUARE (V91929)	AL-AN ,AQ,A R	10
R 147	AML78CB001		.PLUG-SQUARE (V91929)	AQ	2
R 150	BACC45FT10B5P		.CONNECTOR- (P1)	AL-AN ,AR	1
R 155	417T6012-45		.DECAL-SLIP IN, ATTND - L1	AL	1
-155A	417T6012-41		DELETED		
R -155B	417T6012-9		.DECAL-SLIP IN, ATTND - R	AN,AR	1
R -155C	285T0620-41		.DECAL-SLIP IN, ATTND - R1	AM	1
R 160	417T6012-47		.DECAL-SLIP IN, ATTND - L2	AL	1
-160A	417T6012-43		DELETED		
R -160B	417T6012-7		.DECAL-SLIP IN, ATTND - L	AN,AR	1
R -160C	285T0620-43		.DECAL-SLIP IN, ATTND - R2	AM	1
R 165	417T6012-3		.DECAL-SLIP IN, NO LEGEND	AL-AN ,AQ,A R	10
R 170	417T6012-3		.DECAL-SLIP IN, NO LEGEND	AQ	2

- Item Not Illustrated

25-63-11

ILLUSTRATED PARTS LIST
01.1 Page 1080X
Jul 01/03